



Liandong Engineering Trucks Attachments



# ATTACHMENT CATALOG



ANQING LIANDONG ENGINEERING TRUCKS ATTACHMENTS CO.,LTD

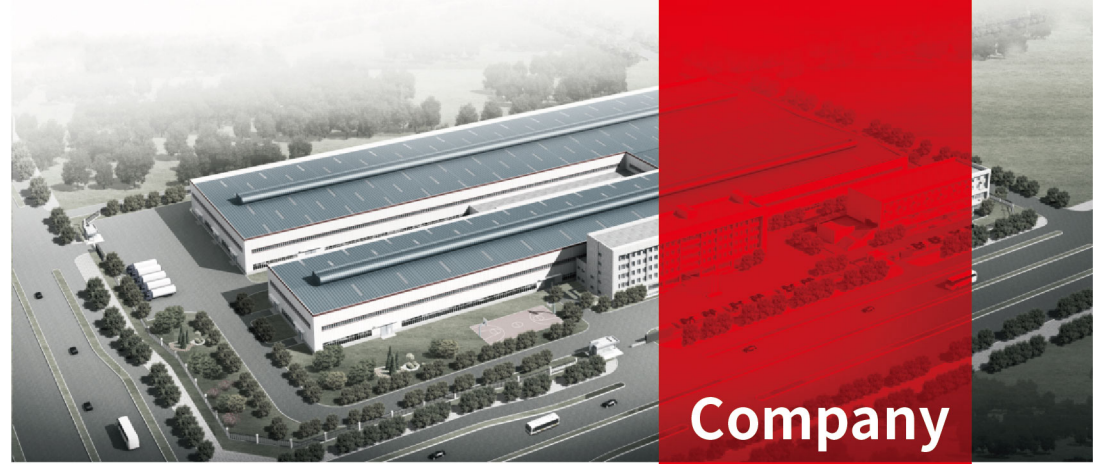
Add / NO.16Fangxing Road,Hi-tech Development Zone,Anqing,Anhui,China

Fax / +86-551-63639966

Tel / +86-551-63639418 (Attachment Department)

Design&Print:Fowell Printing / 20231102

[www.aqldsj.com](http://www.aqldsj.com)



## Company Profile

Anqing Liandong Engineering Trucks Attachments Co., Ltd. (hereinafter referred as LDSJ) is a holding subsidiary of Anhui Forklift Group Co., Ltd. and was created in January 2011. It integrates R & D, manufacturing, sales and service of construction machinery attachments and parts. The products are widely used in papermaking, storage, tobacco, port, chemical industry, construction, smelting and many other industries. They are highly efficient and intelligent handling equipment for mechanized loading and unloading, stacking and short-distance handling.

At present, the product type has reached more than 3000 kinds and key parts have been independently developed and manufactured. Many products have independent intellectual property rights and obtained national patents, and LDSJ actively participates in and lead the formulation of industry standards for construction machinery attachments.

The company has high-efficiency digital intelligent equipment such as CNC cutting machine, welding robot, machining center, CNC lathe, shot blasting machine, washing machine and painting line. It also has advanced physical and chemical laboratories and perfect product testing facilities. LDSJ is totally committed to continuous quality improvements, from product design to after-sale service, providing excellence to customers worldwide. All this in full observance of a fair social policy towards employees, customers, suppliers and society in general while respecting the environment. It has passed ISO9001, ISO14001, OHSAS18001 system certifications and ISO3834-2 international welding quality system certification.

LDSJ does more than simply sell attachments. It is the expert in material handling and is committed to finding the right solutions to help the customers' business to be more efficient, more fruitful, save time and cost-thereby increasing profitability.

LDSJ will adhere to the requirements of new development concept, speed up the pace of product structure adjustment and upgrading, and continue to promote the high-quality development of the enterprise!

# LDSJ

[www.aqldsj.com](http://www.aqldsj.com)

## A good helper for your machines!

### Product Description

The models listed in this product catalog are only partial products of Liandong Attachments. We will provide proper solutions according to user's special requirement. Please contact our sales department for more information.

### Forklift matching requirements

Please note the flow and pressure requirements for each type of attachment. Working pressure of attachment should not exceed its maximum value. Please follow the recommended flow rate value to set the oil supply of the forklift's additional oil line, so as to achieve the best working performance. If a special performance parameter is required, such as various pressure settings, please increase other auxiliary devices.

### Attachment joint situation

Standard configuration of oil port connector is national standard face seal type (dimension of screw thread: M18 x 1.5). If a special connection form is required, please contact our technology department.

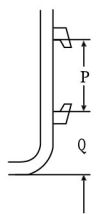
### Bearing capacity of attachment

The bearing capacity of attachment is only one parameter to the performance of its structure. The actual comprehensive bearing capacity depends on the carrying goods, working conditions and bearing capacity of forklift. Accurate comprehensive bearing capacity of forklift/attachment can be obtained from the forklift host factory. The values calculated according to the forklift/attachment comprehensive bearing capacity formula listed on page 3 in this catalog are estimated values, only for reference.

### Attachment mounting class

Attachment mounting class means the installation hook type at the back of product. All standard products have these hooks. The carriage of forklift shall comply with international standard, to mount and connect properly. ng capacity formula listed on page 3 in this catalog are estimated values, only for reference.

### Mounting class meanings as the following chart



Mounting class	Lift Truck Capacity (Kg)	Load Center (mm)	P (mm)	Q (mm)
I	-999	500	331	76
II	1000-2500	500	407	76
III	2501-4999	500	508	76
IV	5000-8000	600	635	127
V	8001-10999	600	728	127

Note: in case of installing the attachment on a non-standard carriage, please consult the sales department of Anqing Liandong Engineering Trucks Attachments Co.,Ltd. in advance.

### Length of clamp arm or fork

The clamp arm or fork length listed in this product catalog is the effective length for actual operation of clamp arm or fork, which means the horizontal distance from the end face to the lip of arm or tip of fork under loading.

### Quality assurance policy

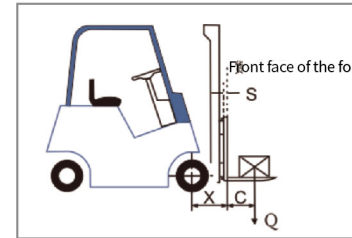
Anqing Liandong Engineering Trucks Attachments Co.,Ltd. shall be in accordance with the quality assurance policy, take a warranty period of 24 months / 4000 hours (whichever occurs first) for its new forklift attachments from the date of delivering to the first carrier. For details see "Quality Assurance Policy".

### Return policy

For detailed information, please refer to page V in this catalog.

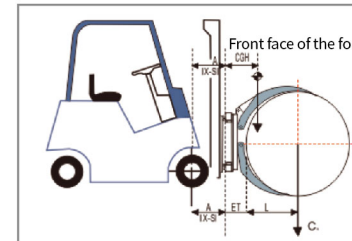
Bearing capacity is an important factor that must be considered in the selection process of forklift and attachment type. The comprehensive bearing capacity of forklift/attachment will fall after installing attachments on the counter balanced forklift, due to the following two factors:

- ①the load torque of forklift is partially offset by the torque produced by attachment weight.
- ②the rear frame structure thickness of attachment forms a part of the actual load torque. The following formulas will help calculate the bearing capacity, i.e. the load weight limit, only for reference.



### CALCULATION PARAMETERS OF THE FORKLIFT

Q: rated bearing capacity of the forklift (Kg)  
(note: the rated bearing capacity of the forklift is related to its maximum lifting height)  
X: horizontal distance from the front wheel center to the front end face of forklift (mm)  
C: horizontal distance from the front end of fork to the load center (mm)  
S: fork thickness (mm)



### CALCULATION PARAMETERS OF ATTACHMENT

M: weight of the attachment (Kg)  
A: horizontal distance from the front wheel center to the front end face of fork (mm) A=X-S  
CGH: horizontal distance from the front end face of fork frame to the weight center of attachment (mm)  
ET: horizontal distance from the front end face of fork frame to the rear end face of load (mm)  
L: horizontal distance from the rear end face of load to the load center (mm)

### COMPREHENSIVE BEARING CAPACITY:

$$C_n = \frac{Q \times (X+C) - M \times (A+CGH)}{A+ET+L}$$

### FOR EXAMPLE, ASSUMING THAT:

Q=3000Kg X=498mm C=500mm S=45mm M=560Kg A=453mm CGH=280mm ET=220mm L=500mm

$$C_n = \frac{3000 \times (498+500) - 560 \times (453+280)}{453+220+500} = 2202\text{Kg}$$

Take the minimum among the rated forklift bearing capacity, attachment bearing capacity and calculated comprehensive bearing capacity as the Integral actual bearing capacity of forklift/attachment. Weight of carried goods shall not exceed this value.

★You can obtain the accurate comprehensive bearing capacity of forklift/attachment from the forklift host factory.

# Quality Assurance Policy

Thank you for choosing the attachment product of Liandong. In order to fully protect your rights, please read this quality assurance policy carefully.

**Anqing Liandong Engineering Trucks Attachments Co.,Ltd.** ensure its products meet the requirements for performance parameters listed in the effective purchases and sales contract, quotation, and product catalog provided by Liandong company.

**Anqing Liandong Engineering Trucks Attachments Co.,Ltd.** the company has two classes of product, brand new product and repaired product. Including attachments and repair parts.

## 1.Brand new product: warranty period as follows:

New products consisting of attachments, hose reels and service parts are warranted for 24 months or 4000h following date of installation.

## 2.Repaired product:

the warranty period is 6 months from Anqing Liandong Engineering Trucks Attachments Co.,Ltd. delivering the product.

**In this policy, 4,Quality Assurance" means:** Anqing Liandong Engineering Trucks Attachments Co.,Ltd. will repair or replace any part with defects in material or workmanship confirmed by its authorized officer or its sales staff after checking.

## Buyers and end users shall:

- 1.In order to ensure the company's work can be implemented smoothly, buyers and end users must operate in strict accordance with the requirements of relevant Liandong installation instructions, test specifications, operating instructions and maintenance manuals while installing, commissioning, using and maintaining the products of Liandong.
- 2.Buyers and end users must obtain authorization from Liandong before repairing the products purchased from Liandong, but no product part can be removed or replaced.
- 3.Without authorization from Liandong Company, any repair or alteration of its attachment product, use of parts not provided by Liandong, or violation of relevant provisions in Liandong installation instructions, test specifications, operation instructions and maintenance manual will result in losing the right of quality assurance policy.

## Precautions:

- 1 .For damage or abnormal conditions to the product caused by special operations beyond the applicable working condition of the product, Anqing Liandong Engineering Trucks Attachments Co.,Ltd. won't take the responsibility of repair.
- 2.When the buyer or end user has owned or has not yet owned but already started using the company's products, Anqing Liandong Engineering Trucks Attachments Co.,Ltd. won't take the responsibility for loss of the products or person or property loss caused during the use of the product (including indirect loss or damage).
- 3.Product abrasion and consumption during normal use, abnormal use without following the company's operation introduction, as well as normal or regular maintenance work do not enjoy the quality assurance policy.
- 4.Circumstances beyond this quality policy and product-related terms on the purchases and sales contract of Anqing Liandong Engineering Trucks Attachments Co.,Ltd. do not enjoy the quality assurance policy.

## Important notice:

If the end user need to learn more about the company's products or installation and repair matters, please consult the forklift host factory that sold this product or its dealer first. Liandong Company is also very happy to answer any of your questions in this regard. Please contact: Technology Department/ Sales Department of Anqing Liandong Engineering Trucks Attachments Co.,Ltd. tel: 0556-5345329/5228123.

This quality assurance policy takes effect from Jan. 1,2008. It will be effective till the introduction of new quality assurance policy. Anqing Liandong Engineering Trucks Attachments Co.,Ltd. reserves the right to amend this policy according to market and technology developments, without one by one notice.

# Return Policy



Forklift attachments are installed on the forklift of a particular tonnage and mounting class, which are specialized mechanical equipment for the appropriate shape and weight of goods.

Therefore, before signing the attachment sales contract, sales manager of Anqing Liandong Engineering Trucks Attachments Co.,Ltd. and sales managers of the forklift host factory and its dealer must communicate adequately on how to make the proposed attachment meet the user's requirements, and reach an agreement.

## Return applications caused by non-attachment quality problems are suitable to the following policies:

In case of return of universal standard brand new attachments (unused), the forklift host factory or sales company sold this product shall contact the sales manager of Anqing Liandong Engineering Trucks Attachments Co.,Ltd. to get return permission.

For all applications, the "Return Permission" must be returned with the goods. The returns party shall bear the product transport fee, packaging costs (round trip), detection and identification fee of the product, related service fee, management fee and loss of spare parts (in real terms). If damaged during shipping, the returns party shall also bear the repairing cost (in real terms).

## In the following conditions, return will be refused:

- Used product (no quality issues)
- Modified product (without permission of the company)
- Custom designed product
- Product exceeding 60 days from the delivery date of the company
- Not returnable products specified by the contract

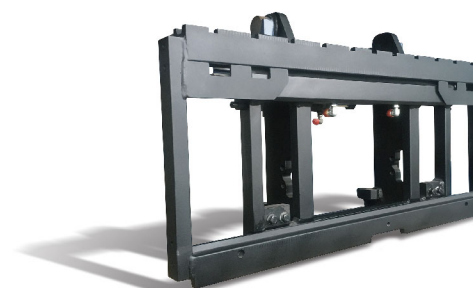
01	Side shifter	01-05	1-1 LC-series Sideshifter	02
			1-2 GC-series Sideshifter	03
			1-3 YC-series Sideshifter	04
02	Fork Positioner	06-09	2-1 H-series Fork Positioner	07
			2-2 K-series Fork Positioner	08
03	Paper Roll Clamp	10-19	3-1 22H-series Paper Roll Clamp	11
			3-2 25H-series Paper Roll Clamp	12
			3-3 27H-series Paper Roll Clamp	13
			3-4 33H-series Paper Roll Clamp	14
			3-5 R-series Paper Roll Clamp	15
			3-6 Separate Paper Roll Clamp	16
04	Rotator	20-23	4-1 L-series Rotator	20
			4-2 J-series Rotator	21
05	Bale Clamp	24-31	5-1 J-series Bale Clamp	25
			5-2 T-type Bale Clamp	26
			5-3 Anti-rail Bale Clamp	27
			5-4 Revolving Bale Clamp	28
			5-5 Pulp Bale Clamp	29
06	Carton Clamp		6-1 Carton Clamp	
			6-2 D-series Carton Clamp	
			6-3 Tobacco Carton Clamp	
07	Tyre Clamp		7-1 Sideshifting Tyre Clamp	
			7-2 Revolving Tyre Clamp	
08	Block Clamp		8-1 Block Clamp	
			8-2 F-series Block Clamp	
			8-3 Cage Block Clamp	
09	Multi-purpose Clamp		9-1 Multi-purpose Clamp	
			9-2 Revolving Multi-purpose Clamp	
			9-3 Fork Revolving Multi-purpose Clamp	
10	Fork Clamp		10-1 Fork Clamp	
			10-2 Rotating Fork Clamp	
11	Drum Clamp		11-1 Sideshifting Drum Clamp	
			11-2 Revolving Drum Clamp	
			11-3 Olecranon Drum Clamp	
12	Hinged Fork		12-1 Economical Hinged Fork	
			12-2 Single-Cylinder Hinged Fork	
			12-3 Double-Cylinder Hinged Fork	
13	Push Pull		13-1 Quick-installed Push Pull	
			13-2 Integral fork plate Push Pull	
14	Single Double Pallets Handler			
15	Turnaload			
16	Sponge Rubber Clip			
17	Material Sender			
18	Bag Push			
19	Inverta Push			
20	Load Stabilizer			
21	Carpet Boom			
22	Sanitation Fork			
23	PVC Clamp			
24	Hinged Steel Pipe Clamp			
25	Hinged Broke Handler			
26	Lifting Arm			
27	Bar Arm Clamp			
28	Load Extender			



1-1 LC-series Sideshifter 02



1-2 GC-series Sideshifter 03

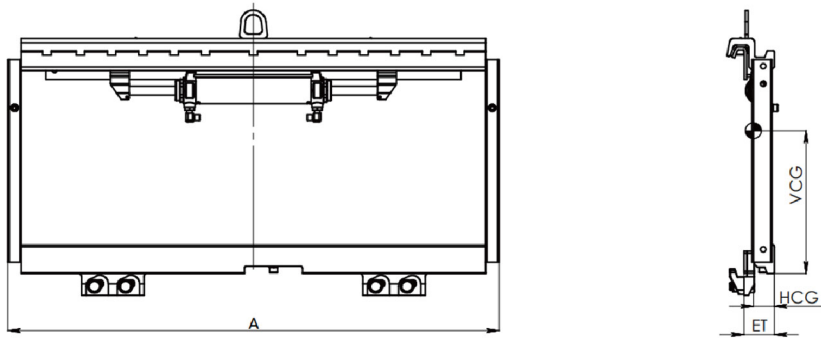


1-3 YC-series Sideshifter 04

## Introduction:

Sideshifter is the most common attachments used on forklift trucks, allowing carriage moving in horizontal direction. LDSJ Sideshifters can greatly improve the flexibility and efficiency of forklift truck operation. It is suitable for various occasions using forklift truck for material handling and stacking.

# LC-series Sideshifter



Capacity @ Load Center	Catalog Order NO.	Mounting Class	Total Side Shift	Carriage Width	Minimum Truck Carriage Width	Weight	Effective Thickness	Vertical Center of Gravity	Horizontal Center of Gravity	Available Forklift
Kg @ mm			(mm)	A(mm)	(mm)	(kg)	ET (mm)	VCG (mm)	HCG (mm)	(t)
1800@500	LC15	II	±100	970	900	55	63	230	28	1-1.8t
1800@500	LC15SL	II	±100	920	870	51	63	230	28	1-1.8t
1800@500	LC15LG	II	±100	1000	930	56	63	230	28	1-1.8t
2500@500	LC20	II	±100	1040	970	58	63	230	28	2-2.5t
2500@500	LC20SL	II	±100	1000	970	54	63	230	28	2-2.5t
2500@500	CY20GL-A24	II	±100	1020	970	55	63	230	28	2-2.5t
2500@500	CY20GL-A32	II	±100	1070	970	56	63	230	28	2-2.5t
2500@500	CY20GL-A33	II	±100	1200	1120	61	63	230	28	2-2.5t
3000@600	LC30	III	±100	1100	1000	74	68	300	29	3-3.5t
3000@600	CY30GL-B10	III	±100	1300	1120	82	68	300	29	3-3.5t
3000@600	CY30GL-B11	III	±100	1070	970	72	68	300	29	3-3.5t
3800@500	LC35	III	±100	1100	930	85	73	307	32	3.5-3.8t
3800@500	LC35E	III	±100	1200	1030	96	73	307	32	3.5-3.8t
3800@500	LC35A	III	±100	1500	1300	116	73	307	32	3.5-3.8t
4500@500	LC40B	III	±100	1350	1250	110	73	307	32	4.5t
4500@500	LC40	III	±100	1380	1250	114	73	307	32	4.5t
4500@500	LC40C	III	±100	1100	930	95	73	307	32	4.5t
4500@500	LC40RC	III	±100	1300	1130	107	73	307	32	4.5t

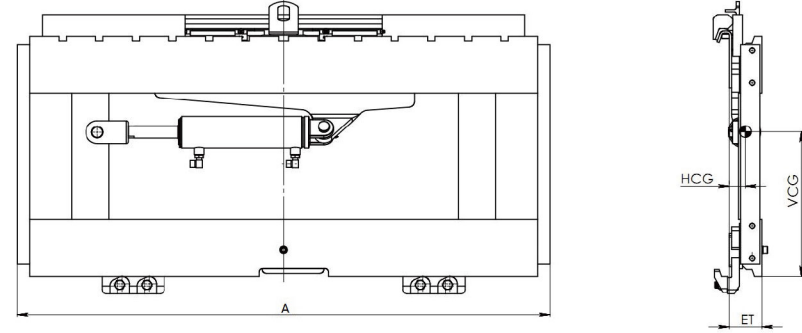
### Notes:

1. The forklift truck needs to add 1 group of oil lines.
2. Please obtain the actual comprehensive bearing capacity of forklift/attachment from the forklift factory.
3. The total amount of sideshifting is 200 (±100) mm.
4. According to demand, special width of sideshifter can be provided.

### Features:

1. Easy for installation, and high visibility structure.
2. Cylinder is detachable and easy for repair.
3. Throttle valves can adjust the speed of sideshifting.
4. Modified engineering plastic wear-resistant material for long service time.
5. Well-known brand seals ensure reliable quality.

# GC-series Sideshifter



Capacity @ Load Center	Catalog Order NO.	Mounting Class	Total Side Shift	Overall Width	Minimum Truck Carriage Width	Weight	Effective Thickness	Vertical Center of Gravity	Horizontal Center of Gravity	Available Forklift
Kg @ mm			(mm)	A (mm)	(mm)	(kg)	ET (mm)	VCG (mm)	HCG (mm)	(t)
5000@610	GC50	IV	±100	1380	1200	250	84	380	43	5-7t
6800@610	GC70B	IV	±150	1532	1470	286	84	380	42	5-7t
6800@610	GC70FT	IV	±150	1700	1525	320	84	387	47	5-7t
6800@610	GC70	IV	±150	1845	1525	330	84	380	43	5-7t
6800@610	GC70K	IV	±150	2000	1580	358	84	387	47	5-7t
6800@610	GC70E	IV	±150	2200	1700	378	84	387	47	5-7t
6800@610	GC70A	IV	±150	2430	1735	406	84	387	47	5-7t

### Notes:

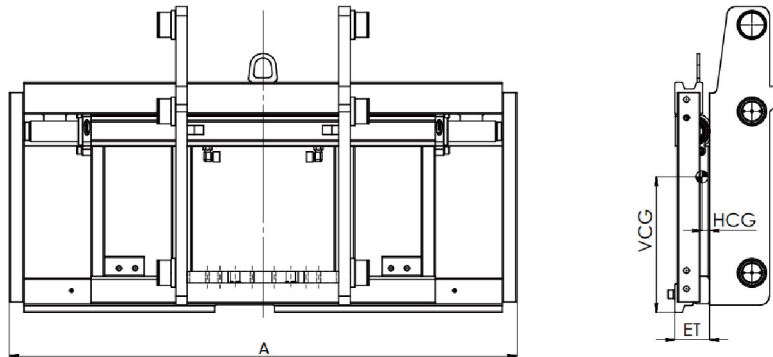
1. The forklift truck needs to add 1 group of oil lines.
2. Please obtain the actual comprehensive bearing capacity of forklift/attachment from the forklift factory.
3. According to demand, special width of sideshifter can be provided.

### Features:

1. Easy for installation, and high visibility structure.
2. Cylinder is detachable and easy for repair.
3. The speed of sideshifting can be reduced by cushioning device in the cylinder when reaching the end.
4. Lower hook is fixed with lock nuts to ensure safe.
5. Well-known brand seals ensure reliable quality.

Side shifter

# YC-series Sideshifter



## Note

Capacity @ Load Center	Catalog Order NO.	Mounting Class	Total Side Shift	Carriage Width	Available Forklift
Kg @ mm			(mm)	A (mm)	(t)
1800@500	YC15	II	±100	970	1-1.8t
2500@500	YC20	II	±100	1040	2-2.5t
3000@500	YC30	III	±100	1100	3t
3500@500	YC35	III	±100	1100	3.5t

### Notes:

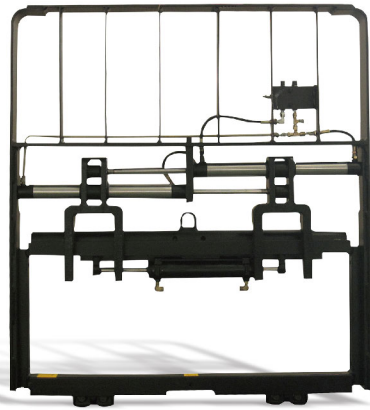
1. The forklift truck needs to add 1 group of oil lines.
2. Not include the roller assembly.
3. The total amount of sideshifting is 200 (±100) mm.
4. Since the riser and roller shaft are associated with this sideshifter and different matching condition, please provide your forklift carriage drawing when ordering.

### Features:

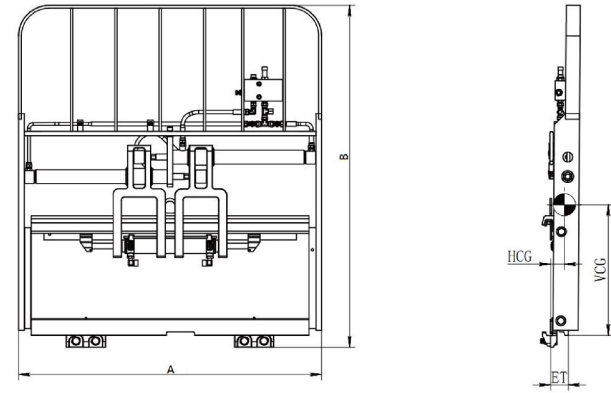
1. Plunger type cylinder is simple in structure and convenient for repair.
2. Upper and lower beams use high-strength plates.
3. Baffles on the frame can protect the cylinder.
4. The cylinder on the upper beam can improve the bearing capacity.
5. The buffered loops on the rod ends can reduce the impact and protect the goods.
6. Well-known brand seals ensure reliable quality.

# Fork Positioner

# H-series Fork Positioner



2-1 H-series Fork Positioner 07



2-2 K-series Fork Positioner 08

## Introduction:

Fork positioners are widely used in logistic, warehouse and manufacturing industry. It can allow the drivers to adjust the forks quickly and accurately to fit different pallet sizes without leaving the seat. Fork positioner can also achieve the function of side shift.

Capacity @ Load Center Kg @ mm	Catalog Order No.	Mounting Class	Opening Range (mm)	Total Side Shift (mm)	Fork Pocket Width (mm)	Minimum Truck Carriage Width (mm)	Overall Width A(mm)	Overall Height B(mm)	Weight (kg)	Effective Thickness ET (mm)	Vertical Center of Gravity VCG (mm)	Horizontal Center of Gravity HCG (mm)	Available Forklift (t)
1800@500	TC18G-A1	II	100-900		100	895	1018	1245	135	63	472	50	1-1.8t
2500@500	TC25G-A1	II	100-970		100	895	1088	1245	148	63	472	50	2-2.5t
2500@500	TC25G-A2	II	100-970		122	895	1088	1245	148	63	472	50	2-2.5t
3000@500	TC30G-B1	III	100-1125		125	930	1248	1336	186	68	501	50	3-3.5t
3000@500	TC30G-B2	III	100-1025		125	930	1148	1336	178	68	501	50	3-3.5t
3500@500	TC35G-B1	III	100-1025		150	930	1148	1336	181	68	501	50	3-3.5t
4500@500	TC45G-B1	III	100-1300		150	1080	1428	1343	256	73	533	50	4-4.5t
6800@600	TC70G-C1	IV	120-1750		150	1420	1905	1452	553	75	559	57	5-7t
1800@500	TY18G-A1	II	100-900	±100	100	895	1018	1245	139	62	472	50	1-1.8t
2500@500	TY25G-A3	II	100-1230	±100	100	1090	1348	1245	178	62	472	50	2-2.5t
2500@500	TY25G-A5	II	100-970	±100	122	940	1088	1245	152	62	472	50	2-2.5t
3000@500	TY30G-B1	III	100-1025	±100	125	970	1148	1336	182	68	501	50	3-3.5t
3000@500	TY30G-B2	III	100-1125	±100	125	1070	1248	1336	190	68	501	50	3-3.5t
3000@500	TY30G-B4	III	100-1440	±100	125	1400	1568	1336	215	68	501	50	3-3.5t
3500@500	TY35G-B1	III	100-1025	±100	150	970	1148	1336	185	68	501	50	3-3.5t
4500@500	TY45G-B1	III	100-1300	±100	150	1180	1428	1345	260	73	533	50	4-4.5t
4500@500	TY45G-B3	III	100-1620	±100	150	1400	1748	1345	280	73	533	56	4-4.5t
4500@500	TY45G-B4	III	100-1810	±100	150	1600	1968	1345	398	78	533	57	4-4.5t
5000@600	TY50G-C1	IV	120-1290	±100	150	1180	1440	1418	421	84	559	62	5t
6800@600	TY70G-C1	IV	120-1750	±150	150	1525	1905	1418	550	84	559	57	5-7t
6800@600	TY70G-C2	IV	115-1850	±150	150	1525	2000	1300	555	84	559	57	5-7t

## Notes:

- Opening range: the minimum means the inside distance between two forks while closing, and the maximum means the outside distance while opening.
- Please obtain the actual comprehensive bearing capacity of forklift/attachment from the forklift factory.
- Catalog Order No.: "TC" refers to Fork Positioner, "TY" refers to Sideshifting Fork Positioner.
- Separate pitch adjustment at the end of the original product model of TC series plus "-01".
- It is recommended that the length of the forks do not exceed 1520mm.
- Forks position independently, without sideshift function, needs to add 2 groups of oil lines (without synchronous valves).
- Forks position synchronously, with sideshift function, needs to add 2 groups of oil lines (with synchronous valves).
- Forks position synchronously, without sideshift function, needs to add 1 group of oil lines (with synchronous valves).

## Features:

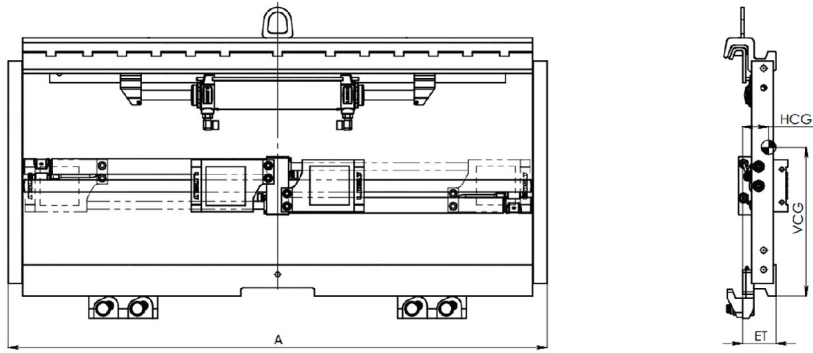
- Easy for installation, and high visibility structure.
- Balance valves ensure two forks can move synchronously.
- Forks are controlled by double oil cylinder with good stability.
- Imported hydraulic products for the control valves.
- Imported cone sealed high-pressure rubber hoses.

Fork Positioner

# K-series Fork Positioner



## Note



Capacity @ Load Center	Catalog Order NO.	Mounting Class	Opening Range	Total Side Shift	Fork Pocket Width	Minimum Truck Carriage Width	Overall Width	Weight	Effective Thickness	Vertical Center of Gravity	Horizontal Center of Gravity	Available Forklift
Kg @ mm			(mm)	(mm)	(mm)	(mm)	A(mm)	(kg)	ET (mm)	VCG (mm)	HCG (mm)	(t)
1800@500	TY18G-A2	II	28-860	±100	100	895	970	72	68	218	31	1-1.8t
2500@500	TY25G-A4	II	28-930	±100	100/122	940	1040	78	68	218	31	2-2.5t
3000@500	TY30G-B3	III	28-990	±100	125	970	1100	90	68	275	31	3-4.5t

### Notes:

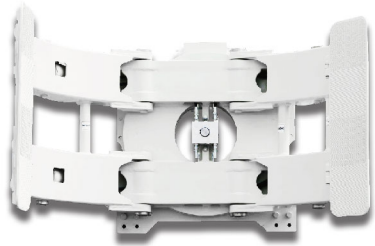
1. Opening range: the minimum means the inside distance between two forks while closing, and the maximum means the outside distance while opening.
2. Please obtain the actual comprehensive bearing capacity of forklift/attachment from the forklift factory.
3. The forklift truck needs to add 2 groups of oil lines.
4. The total amount of sideshifting is ±100 mm.
5. It is recommended that the length of the forks do not exceed 1520mm.
6. The models listed here only fit the basic portal frame. Please contact sales representatives for more information.

### Features:

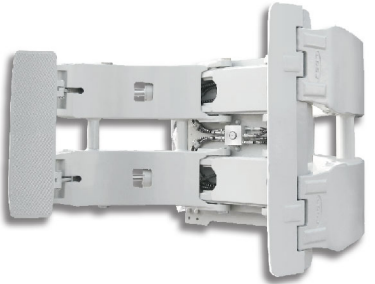
1. Integral type sideshift oil cylinder is simple in structure and easy for repair.
2. Positioning cylinder has throttle valve to adjust the speed.
3. Shift fork adopts fine steel castings, which is indestructible.
4. Light weight, easy for installation.
5. Distance between forks while closing is smaller.

Fork Positioner

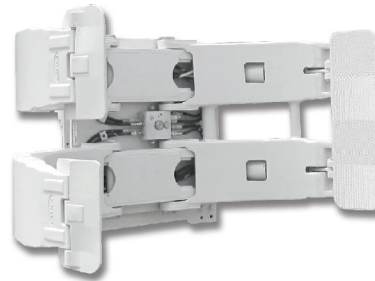
# Paper Roll Clamp



- 3-1 22H-series Paper Roll Clamp 11
- 3-2 25H-series Paper Roll Clamp 12
- 3-3 27H-series Paper Roll Clamp 13
- 3-4 33H-series Paper Roll Clamp 14



- 3-5 R-series Paper Roll Clamp 15

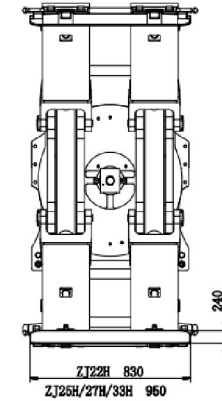
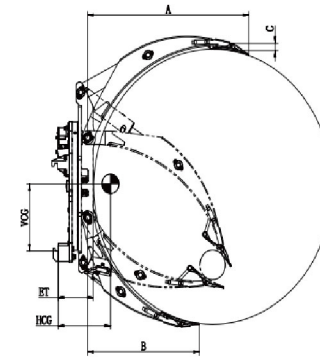


- 3-6 Separate Paper Roll Clamp 16

## Introduction:

Paper roll clamp is widely used in the paper roll industry for damage free roll handling with maximum efficiency. LDSJ offers a full line of paper roll clamps to handle paper rolls regardless of diameter, weight or type of paper. For paper roll handling of every size in industries from stevedoring to printing, our Paper Roll Clamp will deliver.

# 22H-series Paper Roll Clamp



Capacity @ Load Center	Model	Opening Range (mm)	Mounting Class	Long Arm Length (mm)	Short Arm Length (mm)	Arm Thickness (mm)	Weight (kg)	Effective Thickness (mm)	Vertical Center of Gravity (mm)	Horizontal Center of Gravity (mm)	Available Forklift (t)
2200@700	ZJ22H-A1	440-1400	II	989	658	39	677	236	410	321	2-2.5t
2200@650	ZJ22H-A2	200-1300	II	933	645	39	670	236	355	295	2-2.5t
2200@650	ZJ22H-A3	440-1300	II	933	645	39	660	236	360	288	2-2.5t
1950@800	ZJ22H-A4	200-1600	II	1080	750	39	720	236	432	338	2-2.5t
1950@800	ZJ22H-A5	500-1600	II	1080	750	39	710	236	420	330	2-2.5t
1700@915	ZJ22H-A6	380-1830	II	1290	806	39	760	236	366	465	2-2.5t
1700@915	ZJ22H-A7	680-1830	II	1290	806	39	755	236	367	458	2-2.5t
2050@762	ZJ22H-A8	200-1525	II	1040	730	39	710	236	350	350	2-2.5t
2050@762	ZJ22H-A9	490-1525	II	1040	730	39	705	236	360	352	2-2.5t
2200@700	ZJ22H-A14	200-1400	II	989	658	39	685	236	400	310	2-2.5t
2200@700	ZJ22H-B1	440-1400	III	989	658	39	677	236	410	321	3-4.5t
2200@650	ZJ22H-B2	200-1300	III	933	645	39	670	236	355	295	3-4.5t
2200@650	ZJ22H-B3	440-1300	III	933	645	39	660	236	360	288	3-4.5t
1950@800	ZJ22H-B4	200-1600	III	1080	750	39	720	236	432	338	3-4.5t
1950@800	ZJ22H-B5	500-1600	III	1080	750	39	710	236	420	330	3-4.5t
1700@915	ZJ22H-B6	380-1830	III	1290	806	39	760	236	366	465	3-4.5t
1700@915	ZJ22H-B7	680-1830	III	1290	806	39	755	236	367	458	3-4.5t
2050@762	ZJ22H-B8	200-1525	III	1040	730	39	710	236	350	350	3-4.5t
2050@762	ZJ22H-B9	490-1525	III	1040	730	39	705	236	360	352	3-4.5t
2200@700	ZJ22H-B14	200-1400	III	989	658	39	685	236	400	310	3-4.5t

## Notes:

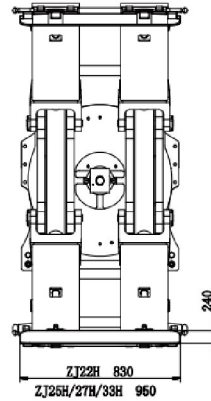
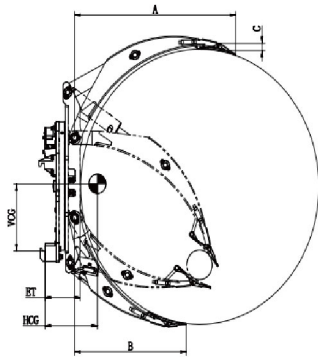
1. Forklift trucks need to add 2 sets of oil lines;
2. Please obtain the actual comprehensive bearing capacity from the forklift manufacturer;
3. According to the needs of customers, we can provide clamping plates suitable for different paper roll clamps;
4. The odd number of the model number means that the short arm is fixed, and the even number means that the short arm is adjustable.

## Features:

1. Reduced Roll Damage
  - With two-way hydraulic lock to achieve two-way hydraulic self-lock;
  - Clamp arms adopt high-strength alloy steel plate to reduce damage.
2. Fast Roll Handling
  - 360° rotation to quickly transition to and from bilge position;
  - Worm arm adopts involute gear to improve clamp arm speed.
3. Excellent Durability
  - With large modulus slewing bearing to achieve high-strength capacity;
  - Highly durable rotator parts to extend service life.

Paper Roll Clamp

# 25H-series Paper Roll Clamp



Capacity @ Load Center	Model	Opening Range (mm)	Mounting Class	Long Arm Length (mm)	Short Arm Length (mm)	Arm Thickness (mm)	Weight (kg)	Effective Thickness (mm)	Vertical Center of Gravity (mm)	Horizontal Center of Gravity (mm)	Available Forklift (t)
2500@700	ZJ25H-B1	575-1400	III	1015	618	42	775	191	521	285	3-4.5t
2500@650	ZJ25H-B2	200-1300	III	952	620	42	755	191	514	274	3-4.5t
2500@650	ZJ25H-B3	450-1300	III	952	620	42	748	191	520	275	3-4.5t
2300@800	ZJ25H-B4	200-1600	III	1125	710	42	823	191	518	307	3-4.5t
2300@800	ZJ25H-B5	625-1600	III	1125	710	42	816	191	524	308	3-4.5t
2100@915	ZJ25H-B6	200-1830	III	1245	820	42	883	191	536	341	3-4.5t
2100@915	ZJ25H-B7	625-1830	III	1245	820	42	876	191	541	342	3-4.5t
2400@762	ZJ25H-B8	200-1525	III	1068	678	42	812	191	517	293	3-4.5t
2400@762	ZJ25H-B9	575-1525	III	1068	678	42	803	191	522	294	3-4.5t
2500@700	ZJ25H-B14	200-1400	III	1015	618	42	780	191	516	285	3-4.5t

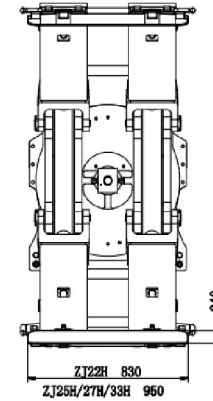
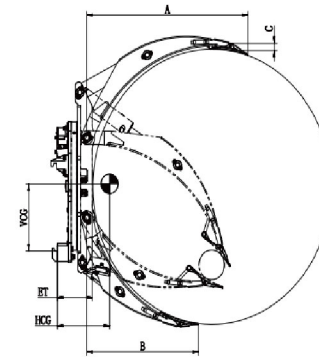
### Notes:

1. Forklift trucks need to add 2 sets of oil lines;
2. Please obtain the actual comprehensive bearing capacity from the forklift manufacturer;
3. According to the needs of customers, we can provide clamping plates suitable for different paper roll clamps;
4. The odd number of the model number means that the short arm is fixed, and the even number means that the short arm is adjustable.

### Features:

1. Reduced Roll Damage
  - With two-way hydraulic lock to achieve two-way hydraulic self-lock;
  - Clamp arms adopt high-strength alloy steel plate to reduce damage.
2. Fast Roll Handling
  - 360° rotation to quickly transition to and from bilge position;
  - Worm arm adopts involute gear to improve clamp arm speed.
3. Excellent Durability
  - With large modulus slewing bearing to achieve high-strength capacity;
  - Highly durable rotator parts to extend service life.

# 27H-series Paper Roll Clamp



Capacity @ Load Center	Model	Opening Range (mm)	Mounting Class	Long Arm Length (mm)	Short Arm Length (mm)	Arm Thickness (mm)	Weight (kg)	Effective Thickness (mm)	Vertical Center of Gravity (mm)	Horizontal Center of Gravity (mm)	Available Forklift (t)
2800@700	ZJ27H-B1	575-1400	III	1015	618	42	775	191	521	285	3-4.5t
3000@650	ZJ27H-B2	200-1300	III	952	620	42	755	191	514	274	3-4.5t
3000@650	ZJ27H-B3	450-1300	III	952	620	42	748	191	520	275	3-4.5t
2450@800	ZJ27H-B4	200-1600	III	1125	710	42	823	191	518	307	3-4.5t
2450@800	ZJ27H-B5	625-1600	III	1125	710	42	816	191	524	308	3-4.5t
2200@915	ZJ27H-B6	200-1830	III	1245	820	42	883	191	536	341	3-4.5t
2200@915	ZJ27H-B7	625-1830	III	1245	820	42	876	191	541	342	3-4.5t
2550@762	ZJ27H-B8	200-1525	III	1068	678	42	812	191	517	293	3-4.5t
2550@762	ZJ27H-B9	575-1525	III	1068	678	42	803	191	522	294	3-4.5t
2800@700	ZJ27H-B14	200-1400	III	1015	618	42	780	191	516	285	3-4.5t

### Notes:

1. Forklift trucks need to add 2 sets of oil lines;
2. Please obtain the actual comprehensive bearing capacity from the forklift manufacturer;
3. According to the needs of customers, we can provide clamping plates suitable for different paper roll clamps;
4. The odd number of the model number means that the short arm is fixed, and the even number means that the short arm is adjustable.

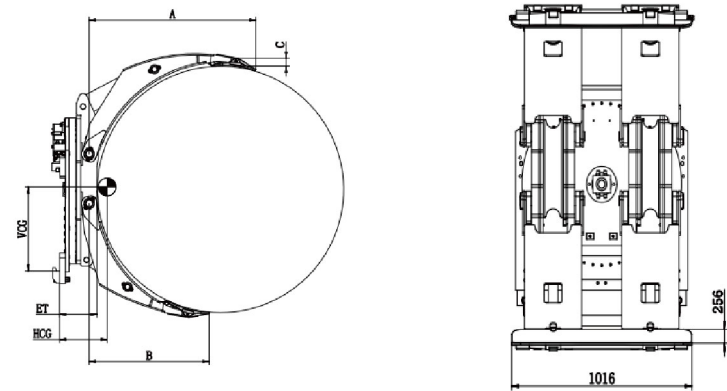
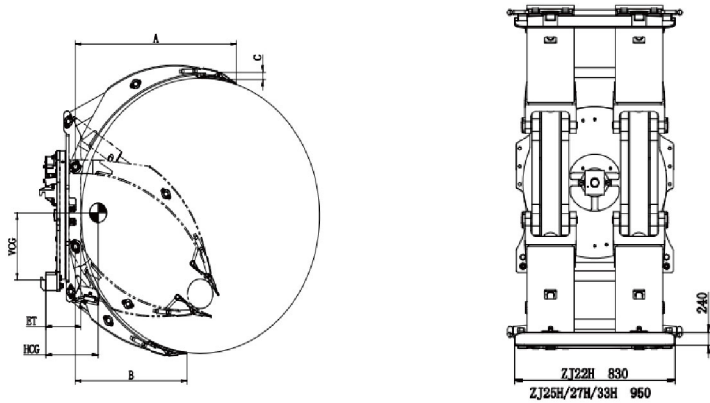
### Features:

1. Reduced Roll Damage
  - With two-way hydraulic lock to achieve two-way hydraulic self-lock;
  - Clamp arms adopt high-strength alloy steel plate to reduce damage.
2. Fast Roll Handling
  - 360° rotation to quickly transition to and from bilge position;
  - Worm arm adopts involute gear to improve clamp arm speed.
3. Excellent Durability
  - With large modulus slewing bearing to achieve high-strength capacity;
  - Highly durable rotator parts to extend service life.

# 33H-series Paper Roll Clamp



# R-series Paper Roll Clamp



Capacity @ Load Center	Model	Opening Range (mm)	Mounting Class	Long Arm Length (mm)	Short Arm Length (mm)	Arm Thickness (mm)	Weight (kg)	Effective Thickness (mm)	Vertical Center of Gravity (mm)	Horizontal Center of Gravity (mm)	Available Forklift (t)
3300@700	ZJ33H-B1	500-1400	III	1016	617	42	800	198	479	278	3-4.5t
3500@650	ZJ33H-B2	200-1300	III	955	627	42	785	198	499	269	3-4.5t
3500@650	ZJ33H-B3	425-1300	III	955	627	42	777	198	494	269	3-4.5t
2850@800	ZJ33H-B4	200-1600	III	1122	711	42	860	198	495	305	3-4.5t
2850@800	ZJ33H-B5	575-1600	III	1122	711	42	852	198	490	305	3-4.5t
2500@915	ZJ33H-B6	200-1830	III	1250	823	42	890	198	514	335	3-4.5t
2500@915	ZJ33H-B7	600-1830	III	1250	823	42	882	198	509	335	3-4.5t
3000@762	ZJ33H-B8	200-1525	III	1075	681	42	845	198	495	291	3-4.5t
3000@762	ZJ33H-B9	575-1525	III	1075	681	42	837	198	490	291	3-4.5t
3300@700	ZJ33H-B14	200-1400	III	1016	617	42	808	198	484	278	3-4.5t

### Notes:

1. Forklift trucks need to add 2 sets of oil lines;
2. Please obtain the actual comprehensive bearing capacity from the forklift manufacturer;
3. According to the needs of customers, we can provide clamping plates suitable for different paper roll clamps;
4. The odd number of the model number means that the short arm is fixed, and the even number means that the short arm is adjustable.

### Features:

1. Reduced Roll Damage
  - With two-way hydraulic lock to achieve two-way hydraulic self-lock;
  - Clamp arms adopt high-strength alloy steel plate to reduce damage.
2. Fast Roll Handling
  - 360° rotation to quickly transition to and from bilge position;
  - Worm arm adopts involute gear to improve clamp arm speed.
3. Excellent Durability
  - With large modulus slewing bearing to achieve high-strength capacity;
  - Highly durable rotator parts to extend service life.

Capacity @ Load Center	Catalog Order NO.	Opening Range (mm)	Mounting Class	Long Arm Length (mm)	Short Arm Length (mm)	Arm Thickness (mm)	Weight (kg)	Effective Thickness (mm)	Vertical Center of Gravity (mm)	Horizontal Center of Gravity (mm)	Available Forklift (t)
1000@800	ZJ10R-A1	560-1600	II	995	675	45	420	135	330	290	1-2.5t
1100@750	ZJ11R-A1	450-1500	II	890	640	45	400	135	330	300	1-2.5t
1200@650	ZJ12R-A1	410-1300	II	860	570	45	376	135	340	255	1-2.5t
1200@650	ZJ12R-B1	410-1300	III	860	570	45	380	135	340	255	3-4.5t
1300@575	ZJ13R-A1	330-1150	II	745	535	45	385	135	335	250	1-2.5t
1300@575	ZJ13R-B1	330-1150	III	745	535	50	385	135	335	250	3-4.5t
3500@650	ZJ35R-B13A	300-1300	III	970	637	65	1015	229	495	298	5-7t
3500@760	ZJ35R-B1	610-1520	III	1025	745	65	1215	229	560	335	3-4.5t
3500@760	ZJ35R-B2	250-1520	III	1025	745	65	1235	229	570	340	3-4.5t
3500@800	ZJ35R-B3	600-1600	III	1096	776	65	1210	229	565	312	5-7t
3500@800	ZJ35R-B4	300-1600	III	1096	776	65	1220	229	573	316	5-7t
3500@760	ZJ35R-C1	610-1520	IV	1025	745	65	1215	229	560	335	5-7t
3500@760	ZJ35R-C2	250-1520	IV	1025	745	65	1235	229	570	340	5-7t
3500@800	ZJ35R-C3	600-1600	IV	1096	776	65	1210	229	565	312	5-7t
3500@800	ZJ35R-C4	300-1600	IV	1096	776	65	1220	229	573	316	5-7t
3000@915	ZJ35R-C6	380-1830	IV	1198	914	65	1225	229	596	358	5-7t
2700@1100	ZJ35R-C10	450-2200	IV	1425	1023	65	1375	229	622	403	5-7t
2700@1000	ZJ35R-C12	400-2000	IV	1420	861	65	1340	229	634	399	5-7t
3000@1250	ZJ45R-C12-03	400-2500	IV	1825	1120	65	1860	229	559	486	5-7t

### Notes:

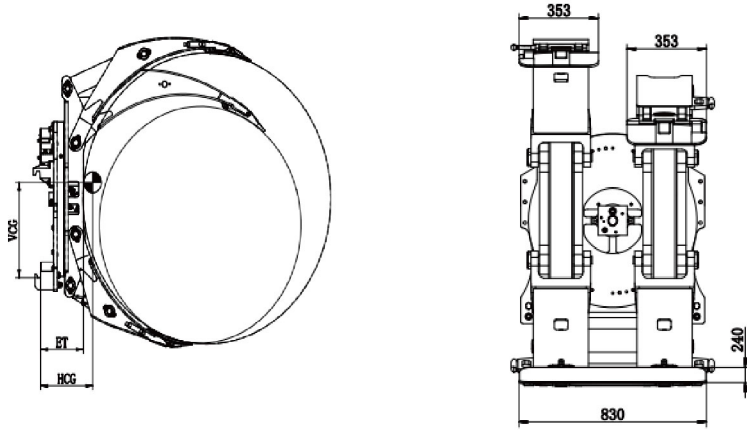
1. Forklift trucks need to add 2 sets of oil lines;
2. Please obtain the actual comprehensive bearing capacity from the forklift manufacturer;
3. According to the needs of customers, we can provide clamping plates suitable for different paper roll clamps;
4. The odd number of the model number means that the short arm is fixed, and the even number means that the short arm is adjustable.

### Features:

1. Reduced Roll Damage
  - With two-way hydraulic lock to achieve two-way hydraulic self-lock;
  - Clamp arms adopt high-strength alloy steel plate to reduce damage.
2. Fast Roll Handling
  - 360° rotation to quickly transition to and from bilge position;
  - Worm arm adopts involute gear to improve clamp arm speed.
3. Excellent Durability
  - With large modulus slewing bearing to achieve high-strength capacity;
  - Highly durable rotator parts to extend service life.

Paper Roll Clamp

# Separate Paper Roll Clamp



Capacity @ Load Center	Catalog Order NO.	Opening Range	Mounting Class	Pad Size	Weight	Effective Thickness	Vertical Center of Gravity	Horizontal Center of Gravity	Available Forklift
Kg @ mm		(mm)		H×W (mm)	(kg)	ET (mm)	VCG (mm)	HCG (mm)	(t)
2200@700	ZJ22HA-B14	200-1400	III	2×(358×232)	680	241	400	310	3-4.5t

### Notes:

1. Forklift trucks need to add 2 sets of oil lines;
2. Please obtain the actual comprehensive bearing capacity from the forklift manufacturer;
3. According to the needs of customers, we can provide clamping plates suitable for different paper roll clamps;

### Features:

1. Reduced Roll Damage
  - With two-way hydraulic lock to achieve two-way hydraulic self-lock;
  - Clamp arms adopt high-strength alloy steel plate to reduce damage.
2. Fast Roll Handling
  - 360° rotation to quickly transition to and from bilge position;
  - Separate long arm can hold paper rolls of different diameters to improve efficiency.
3. Excellent Durability
  - With large modulus slewing bearing to achieve high-strength capacity;
  - Highly durable rotator parts to extend service life.



# Paper Roll Clamp Worksheet

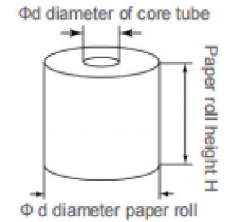
## Customer information

Host factory/agent \_\_\_\_\_ Contact \_\_\_\_\_  
 Address \_\_\_\_\_ Post \_\_\_\_\_  
 Telephone \_\_\_\_\_ Fax \_\_\_\_\_ Email \_\_\_\_\_  
 End users \_\_\_\_\_ Contact \_\_\_\_\_  
 Address \_\_\_\_\_ Post \_\_\_\_\_  
 Telephone \_\_\_\_\_ Fax \_\_\_\_\_ Email \_\_\_\_\_

## Data on individual roll parameters

(note: mm are all the following parameter units)

Height H range values \_\_\_\_\_ Weight \_\_\_\_\_  
 Core tube diameter  $\Phi d$  range values \_\_\_\_\_  
 Paper roll diameter  $\Phi d$  range values \_\_\_\_\_  
 Other notes \_\_\_\_\_



## Working condition

Paper roll packaging type

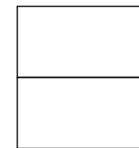
- Kraft paper  Packaging film  Banding belt  Other

Working conditions of paper roll

- Does the diameter of the reel vary greatly?  
 Do you need to operate in small Spaces such as containers, freight cars?  
 Do I need to hold two rolls of different diameters at one time?  
 Do you need a forward tilting function?

Are there any other special operating conditions?

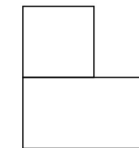
## Paper roll stacking



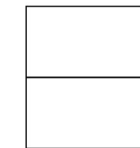
Double roll, top to bottom, Use a single film for packaging



Single paper roll Single packaging film packaging



Two different diameters of paper rolls superimposed

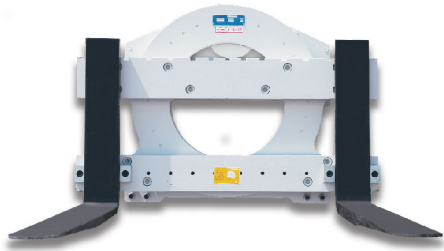


Multiple rolls of the same diameter superimposed

Other stacking methods, please specify



# Rotator



4-1 L-series Rotator 20

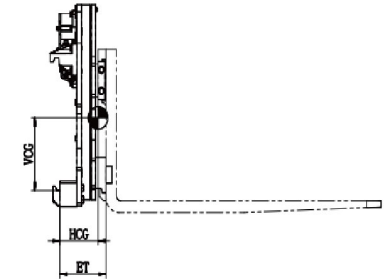
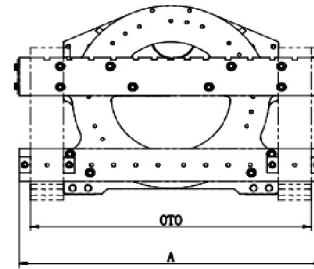


4-2 J-series Rotator 21

## Introduction:

LDSJ Rotators give you the safe operation with standard forks can be fixed by means of square stops and 360° rotating for container turning or emptying operation. LDSJ Rotators are widely used in food, chemical, sanitation, recycle, casting industries and general manufacturing- anywhere it is necessary to dump bins or tote boxes.

# L-series Rotator



Capacity @ Load Center Kg @ mm	Catalog Order NO	Overall Width	Carriage Width	Fork Pocket Width	Fork Max Spacing	Mounting Class	Effective Thickness	Horizontal Center of Gravity	Vertical Center of Gravity	Weight (kg)	Available Forklift (t)
		C(mm)	B(mm)	(mm)	OTO (mm)		Forklift/Fork	ET (mm)	HCG (mm)		
1700@500	XZ17L-A1	843	815	100	725	II / II	128	61	215	200	1-2.5t
2200@500	XZ22L-A2	975	942	100/122	862	II / II	194	102	297	270	2-2.5t
3000@500	XZ30L-B1	1180	1145	125	1062	III / III	194	121	310	362	3-4.5t
3500@500	XZ35L-B1	1275	1240	125/150	1160	III / III	210	169	310	383	3-4.5t
5400@500	XZ60L-C1	1585	1550	150	1470	IV / IV	233	139	322	640	5-7t

## Notes:

- 1.Forklift trucks need to add 1 sets of oil lines;
- 2.Please obtain the actual comprehensive bearing capacity from the forklift manufacturer;
- 3.The fork can be added according to user needs, please pay attention to the carrying capacity of the fork itself;
- 4.The forks of the rotator must be equipped with a middle hook, and the rotator is equipped with a middle hook when leaving the factory.

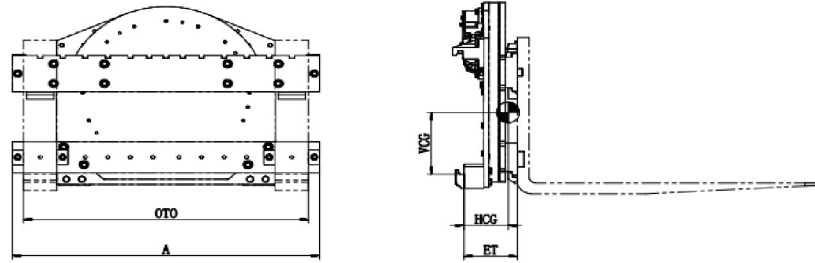
## Features:

- Highly durable gear drive box and ring gear to provide superior service life;
- With large modulus slewing bearing to achieve high-strength capacity;
- Observation hole in the middle of the rotator to provide maximum visibility for the forklift driver.

# J-series Rotator



## Note



Capacity @ Load Center	Catalog Order NO	Overall Width	Carriage Width	Fork Pocket Width	Fork Max Spacing	Mounting Class	Effective Thickness	Horizontal Center of Gravity	Vertical Center of Gravity	Weight	Available Forklift
Kg @ mm	C(mm)	B(mm)	(mm)	OTO (mm)	Forklift/Fork	ET (mm)	HCG (mm)	VCG (mm)	(kg)	(t)	
1700@500	XZ17J-A1	840	815	100	712	II / II	128	68	260	195	1-2.5t
2200@500	XZ22J-A1	1180	1145	100/122	1040	II / II	189	125	310	293	1-2.5t
2200@500	XZ22J-A2	975	942	100/122	840	II / II	189	125	305	279	1-2.5t
2200@500	XZ22J-A3	840	815	100/122	713	II / II	189	125	305	335	1-2.5t
2200@500	XZ22J-B1	970	942	100/122	840	III / II	189	125	305	342	3-3.5t
3000@500	XZ30J-B1	1180	1145	125	1060	III / III	202	125	292	392	3-4.5t
3000@500	XZ30J-B2	1410	1375	125	1290	III / III	202	125	292	415	3-4.5t
3000@500	XZ30J-B3	1180	1145	125/100	1065	III / II	202	125	310	331	3-4.5t
3000@500	XZ30J-B4	1305	1270	125	1158	III / III	202	125	292	406	3-4.5t
3000@500	XZ30J-B5	1363	1343	125	1260	III / III	202	125	292	412	3-4.5t
3500@500	XZ35J-B1	1275	1240	125/150	1157	III / III	207	138	295	415	3-4.5t
3500@500	XZ35J-B2	1100	1065	125/150	925	III / III	207	135	280	398	3-4.5t
3500@500	XZ35J-B3	1633	1600	125/150	1500	III / III	207	138	295	476	3-4.5t
3500@500	XZ35J-B4	1275	1240	125/150	1135	III / III	207	135	322	406	3-4.5t
4500@500	XZ45J-B1	1600	1575	125/150	1445	III / III	220	139	322	610	3-4.5t
4500@500	XZ45J-B2	1341	1300	125/150	1200	III / III	220	135	280	572	3-4.5t
4500@500	XZ45J-B3	1585	1550	125/150	1470	III / IV	183	102	300	603	3-4.5t
4500@500	XZ45J-B4	1560	1525	125	1413	III / III	220	135	322	685	3-4.5t
5400@500	XZ60J-C1	1585	1550	150	1470	IV / IV	233	139	322	667	5-7t
5400@500	XZ60J-C2	1149	1115	150/125	985	IV / III	233	139	322	623	5-7t
5400@500	XZ60J-C3	1609	1575	150/125	1445	IV / III	233	139	322	679	5-7t
5400@500	XZ60J-C4	1735	1700	150	1612	IV / IV	233	139	322	689	5-7t
5400@500	XZ60J-C5	1815	1780	150	1700	IV / IV	233	139	322	735	5-7t

### Notes:

1. Forklift trucks need to add 1 set of oil lines;
2. Please obtain the actual comprehensive bearing capacity from the forklift manufacturer;
3. The fork can be added according to user needs, please pay attention to the carrying capacity of the fork itself;
4. The forks of the rotator must be equipped with a middle hook, and the rotator is equipped with a middle hook when leaving the factory.

### Features:

- Highly durable gear drive box and ring gear to provide superior service life;
- With large modulus slewing bearing to achieve high-strength capacity;
- High temperature alloy steel plate for casting industry.

# Bale Clamp



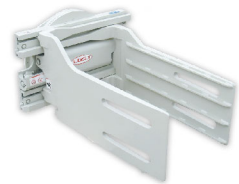
5-1 J-series Bale Clamp 25



5-2 T-type Bale Clamp 26



5-3 Anti-rail Bale Clamp 27



5-4 Revolving Bale Clamp 28

## Introduction:

Bale clamps can efficiently handle many types of baled products such as cotton, synthetic textile bales, corrugated, newsprint, rag, hay, metal and other scrap bales without wroking platform condition.

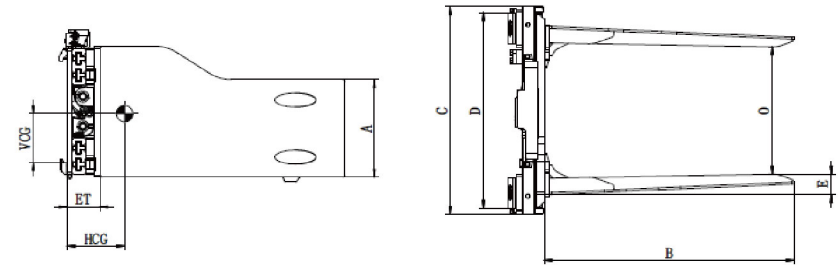


5-5 Pulp Bale Clamp 29

## Introduction:

Pulp bale clamps can efficiently and economically handle nearly any type of baled products and widely used in ports and papermaking industry.

# J-series Bale Clamp



Capacity @ Load Center	Catalog Order NO.	Mounting Class	Opening Range	Arm Height	Arm Length	Frame Width	Hook Spread	Arm Thickness	Weight	Effective Thickness	Vertical Center of Gravity	Horizontal Center of Gravity
2200@500	RJ20J-A1	II	615-1925	550	1200	1010	920	100	580	159	247	313
2200@500	RJ20J-A1-01	II	615-1925	550	1200	1010	920	100	580	159	247	313
2200@500	RJ20J-A2	II	510-2375	475	1200	1680	900	100	640	159	240	237
2200@500	RJ20J-A2-01	II	510-2375	475	1200	1680	900	100	640	159	240	237
2000@500	RJ20J-A3	II	470-2310	475	1500	1680	1040	100	705	159	232	319
2200@500	RJ20J-B1	III	615-1925	475	1200	1010	950	100	540	159	240	277
2200@500	RJ20J-B1-01	III	615-1925	475	1200	1010	950	100	540	159	240	277
2200@500	RJ20J-B2	III	510-2375	475	1200	1680	1040	100	640	159	237	245
2200@500	RJ20J-B2-01	III	510-2375	475	1200	1680	1040	100	640	159	237	245
2000@500	RJ20J-B3	III	470-2310	475	1500	1680	1040	100	705	159	234	324

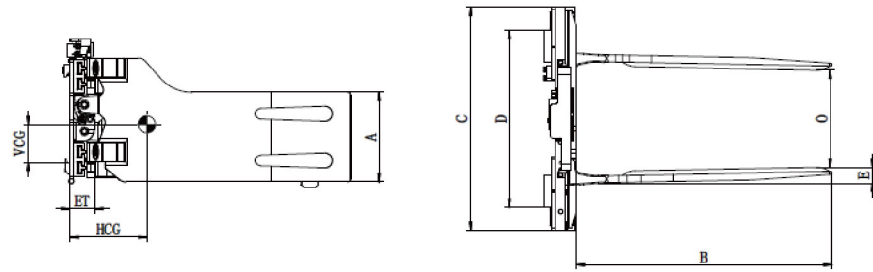
## Notes:

1. Please obtain the actual comprehensive bearing capacity of forklift/attachment from the forklift factory.
2. The forklift truck needs to add 2 groups of oil lines.
3. The arm thickness is the needed minimum wedge gap size when clamping, but not the real thickness.

## Features:

1. Imported load keeping valves and cone sealed high-performance rubber hoses.
2. High-performance alloy steel plates for left and right clamping panels.
3. The connection blocks are integrally charged with good anti-bending performance.
4. With side shift function inside.

# T-type Bale Clamp



Capacity @ Load Center	Catalog Order NO.	Mounting Class	Opening Range	Arm Height	Arm Length	Frame Width	Hook Spread	Arm Thickness	Weight	Effective Thickness	Vertical Center of Gravity	Horizontal Center of Gravity	Available Forklift
1900@500	RJ18ST-A1	II	460-1700	418	1190	1040	825	70	460	117	175	360	1-2.5t
1900@500	RJ18ST-A2	II	580-1955	418	1190	1100	885	70	530	117	177	320	1-2.5t
1900@500	RJ18ST-A3	II	460-1755	418	1190	1040	825	70	470	117	177	358	1-2.5t
1900@500	RJ18ST-B1	III	460-1755	418	1190	1040	889	70	490	122	225	344	3-4.5t
2200@500	RJ22ST-B1	III	460-2325	460	1200	1680	1040	75	690	134	231	311	3-4.5t
2200@500	RJ22ST-B2	III	600-2460	460	1200	1680	1040	75	710	134	232	307	3-4.5t
2700@500	RJ25ST-B1	III	570-1880	460	1200	1010	950	75	610	132	222	337	3-4.5t
2700@500	RJ25ST-B5	III	560-1930	460	1200	1100	970	75	600	132	228	341	3-4.5t
2700@500	RJ25ST-B17	III	555-2125	460	1200	1265	1025	75	630	132	229	329	3-4.5t
2700@500	RJ25ST-B17-01	III	550-2120	460	1370	1265	1025	75	670	132	225	390	3-4.5t
4000@600	RJ40ST-B2	III	835-2205	490	1300	1300	1025	65	1180	206	260	318	3-4.5t
4000@600	RJ40ST-B3	III	580-2130	490	1250	1300	1025	65	1160	206	280	307	3-4.5t
4000@600	RJ40ST-C1	IV	580-2130	490	1250	1300	1015	65	1220	211	263	301	5-7t

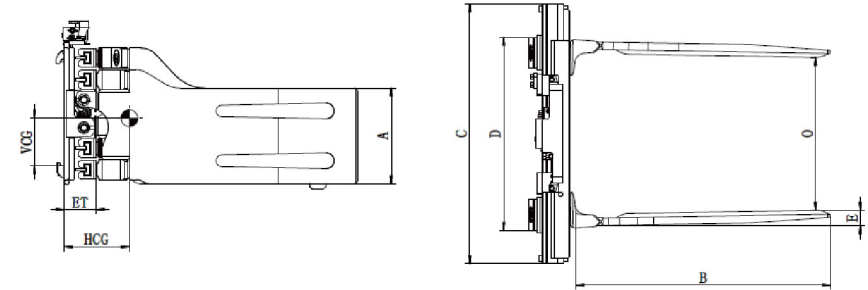
### Notes:

1. Please obtain the actual comprehensive bearing capacity of forklift/attachment from the forklift factory.
2. The forklift truck needs to add 2 groups of oil lines.
3. The arm thickness is the needed minimum wedge gap size when clamping, but not the real thickness.

### Features:

1. Imported load keeping valves and cone sealed high-performance rubber hoses.
2. High-performance alloy steel plates for left and right clamping panels.
3. The connection blocks are integrally charged with good anti-bending performance.
4. With side shift function inside.
5. High strength T-bar enables smooth arm movement and long service life of bearings.

# Anti-rail Bale Clamp



Capacity @ Load Center	Catalog Order NO.	Mounting Class	Opening Range	Arm Height	Arm Length	Frame Width	Hook Spread	Arm Thickness	Weight	Effective Thickness	Vertical Center of Gravity	Horizontal Center of Gravity	Available Forklift
2000@500	RJ20ST-A2	II	740-2110	460	1220	1250	930	75	800	154	210	320	1-2.5t
2500@500	RJ25ST-A2	II	455-2315	460	1220	1700	930	75	860	154	220	300	1-2.5t
2500@500	RJ25ST-B2	III	455-2315	460	1220	1700	930	75	880	154	235	286	3-4.5t
2500@500	RJ25ST-B10	III	590-2455	460	1220	1700	930	75	890	154	233	300	3-4.5t
3000@500	RJ30ST-A3	II	520-1880	460	1220	1130	930	75	750	154	233	324	1-2.5t
3000@500	RJ30ST-B1	III	740-2110	460	1220	1250	930	75	790	154	229	312	3-4.5t
3000@500	RJ30ST-B5	III	520-1880	460	1220	1130	930	75	750	154	230	324	3-4.5t
3000@500	RJ30ST-C2	IV	535-2135	460	1220	1370	930	75	860	154	233	288	5-7t

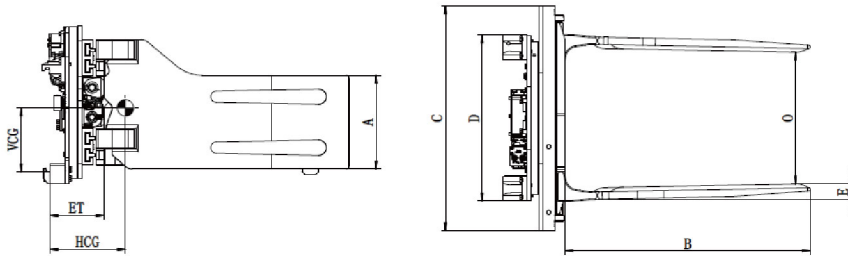
### Notes:

1. Please obtain the actual comprehensive bearing capacity of forklift/attachment from the forklift factory.
2. The forklift truck needs to add 2 groups of oil lines.
3. The arm thickness is the needed minimum wedge gap size when clamping, but not the real thickness.

### Features:

1. Imported load keeping valves and cone sealed high-performance rubber hoses.
2. High-performance alloy steel plates for left and right clamping panels.
3. The connection blocks are integrally charged with good anti-bending performance.
4. With side shift function inside.
5. Anti-rail structure has high strength and better bearing capacity.
6. Reduce goods impact and protect oil cylinder.

# Revolving Bale Clamp



Capacity @ Load Center	Catalog Order NO.	Mounting Class	Opening Range	Arm Height	Arm Length	Frame Width	Hook Spread	Arm Thickness	Weight	Effective Thickness	Vertical Center of Gravity	Horizontal Center of Gravity	Available Forklift
Kg @ mm	(mm)	O (mm)	A (mm)	B(mm)	C(mm)	D(mm)	E(mm)	(kg)	ET (mm)	VCG (mm)	HCG (mm)	(t)	
1900@500	RJ19RT-A1	II	445-1670	418	990	1040	815	75	530	198	221	275	1-2.5t
1900@500	RJ19RT-A2	II	460-1700	418	1190	1040	814	75	710	257	303	355	1-2.5t
1900@500	RJ19RT-A3	II	580-1960	418	1190	1040	814	75	760	252	295	339	1-2.5t
2700@500	RJ30RT-B1	III	570-1880	460	1200	1010	814	75	790	259	313	371	3-4.5t
2700@500	RJ30RT-B2	III	650-2020	460	1200	1100	814	75	810	259	313	369	3-4.5t

### Notes:

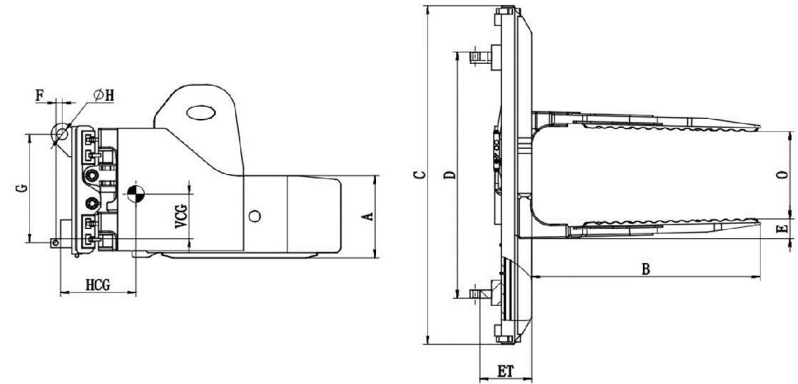
1. Please obtain the actual comprehensive bearing capacity of forklift/attachment from the forklift factory.
2. The forklift truck needs to add 2 groups of oil lines.
3. The arm thickness is the needed minimum wedge gap size when clamping, but not the real thickness.

### Features:

1. Two-way hydraulic locks for rotating oil lines ensure safety when working.
2. High-performance alloy steel plates for left and right clamping panels.
3. The connection blocks are integrally charged with good anti-bending performance.
4. 360 degrees of rotation.
5. Rotating oil hinge has the self-locking function.



# Pulp Bale Clamp



Capacity @ Load Center	Catalog Order NO.	Mounting Class	Opening Range	Arm Height	Arm Length	Frame Width	Hook Spread	Arm Thickness	Distance between upper and lower hook holes	Mounting dimensions	Diameter of hook through shaft	Weight	Effective Thickness	Vertical Center of Gravity	Horizontal Center of Gravity	Available Forklift
Kg @ mm	(mm)	O (mm)	A (mm)	B(mm)	C(mm)	D(mm)	E(mm)	F(mm)	G(mm)	H(mm)	(kg)	ET (mm)	VCG (mm)	HCG (mm)	(t)	
6500@800	ZB65G-X1-01	Hook-Mounted	600-3170	585	1590	2420	1760	105	46	775	76	2600	297	380	493	Heil 12t
6500@800	ZB65G-X2	Hook-Mounted	600-3170	585	1590	2420	1200	105	85	880	86	2640	395	391	513	Linde 12t

### Notes:

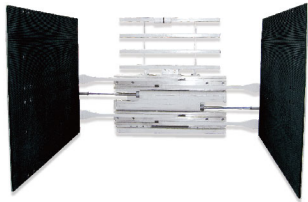
1. Please obtain the actual comprehensive bearing capacity of forklift/attachment from the forklift factory.
2. The forklift truck needs to add 2 groups of oil lines.
3. The arm thickness is the needed minimum wedge gap size when clamping, but not the real thickness.

### Features:

1. Imported load keeping valves and cone sealed high-performance rubber hoses.
2. High-performance alloy steel plates for left and right clamping panels.
3. With side shift function inside.
4. High visibility structure.



# Carton Clamp



6-1 Carton Clamp 33



6-2 D-Series Carton Clamp 34

## Introduction:

Carton clamps can securely handle and stack various goods packed in cartons without pallets and are widely used in the warehousing, beverage, appliance and electronics industries.

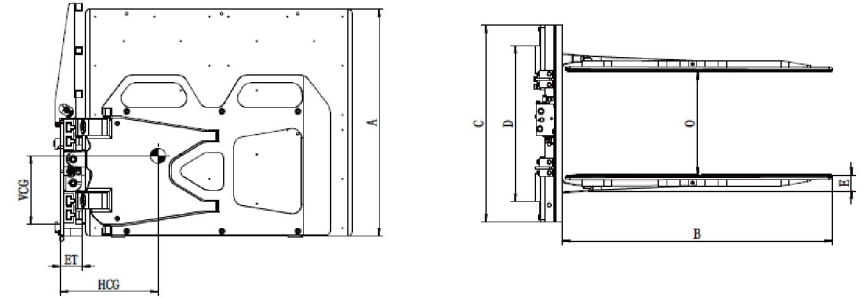


6-3 Tobacco Carton Clamp 35

## Introduction:

Tobacco carton clamps can especially handle and stack redrying tobacco cartons without pallets. Clamp arms can be changed as requested in different working condition.

# Carton Clamp



Capacity @ Load Center	Catalog Order No.	Mounting Class	Opening Range	Arm Height	Arm Length	Frame Width	Hook Spread	Arm Thickness	Weight	Effective Thickness	Vertical Center of Gravity	Horizontal Center of Gravity	Available Forklift
Kg @ mm	O(mm)	A(mm)	B(mm)	C(mm)	D(mm)	E(mm)	(kg)	ET (mm)	VCG (mm)	HCG (mm)	(t)		
1400@700	ZX14J-A1	II	560-1940	1200	1420	1040	825	90	875	117	371	504	2-2.5t
1400@700	ZX14J-A2	II	760-2140	1200	1420	1040	825	90	890	117	369	497	2-2.5t
1400@700	ZX14J-A3	II	590-1970	1200	1480	1040	825	90	900	117	369	534	2-2.5t
1200@600	ZX12J-A1	II	400-1570	1200	1220	1040	825	90	785	117	368	429	2-2.5t
1400@600	ZX14J-A4	II	565-1945	1200	1220	1040	825	90	800	117	367	424	2-2.5t
1400@600	ZX14J-B1	III	595-1975	1200	1220	1040	1025	90	800	117	367	424	3-4.5t

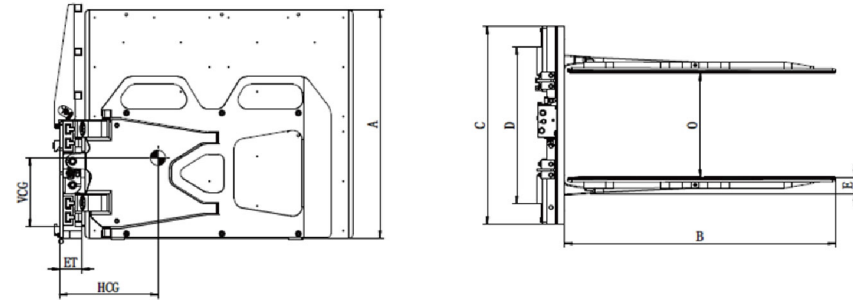
## Notes:

1. Please obtain the actual comprehensive bearing capacity of forklift/attachment from the forklift factory.
2. The forklift truck needs to add 2 groups of oil lines.
3. The arm thickness is the needed minimum wedge gap size when clamping, but not the real thickness.
4. Equipped with four-gear pressure regulating valve when delivered from the factory.

## Features:

1. Imported load keeping valves and cone sealed high-performance rubber hoses.
2. Four-gear pressure regulating valve can be used to set different suitable clamping power for different goods.
3. Equipped with sideshifting function inside.
4. High-performance alloy steel plates for left and right clamping panels.
5. Connection blocks are integrally charged with good anti-bending performance.

# D-Series Carton Clamp



Capacity @ Load Center	Catalog Order No.	Mounting Class	Opening Range	Arm Height	Arm Length	Frame Width	Hook Spread	Arm Thickness	Weight	Effective Thickness	Vertical Center of Gravity	Horizontal Center of Gravity	Available Forklift
Kg @ mm	O(mm)	A(mm)	B(mm)	C(mm)	D(mm)	E(mm)	(kg)	ET (mm)	VCG (mm)	HCG (mm)	(t)		
1200@600	ZX12D-A1	II	400-1570	1200	1220	1040	825	90	765	117	368	429	2-2.5t
1360@700	ZX14D-A1	II	560-1940	1200	1420	1040	825	90	855	117	371	504	2-2.5t
1360@700	ZX14D-A2	II	760-2140	1200	1420	1040	825	90	870	117	369	497	2-2.5t
1360@700	ZX14D-A3	II	565-1945	1200	1220	1040	825	90	780	117	367	424	2-2.5t
1360@700	ZX14D-A4	II	565-1945	1200	1220	1040	825	90	715	117	352	396	2-2.5t
1360@700	ZX14D-B2	III	560-1920	1200	1420	1040	825	90	740	117	345	384	3-4.5t
1360@700	ZX14D-B3	III	560-1940	1200	1420	1040	825	90	880	117	367	506	3-4.5t
1360@700	ZX14D-B4	III	520-2400	1200	1480	1600	970	90	970	117	365	505	3-4.5t
1360@700	ZX14D-B5	III	500-2100	1200	1480	1400	960	90	935	117	368	512	3-4.5t

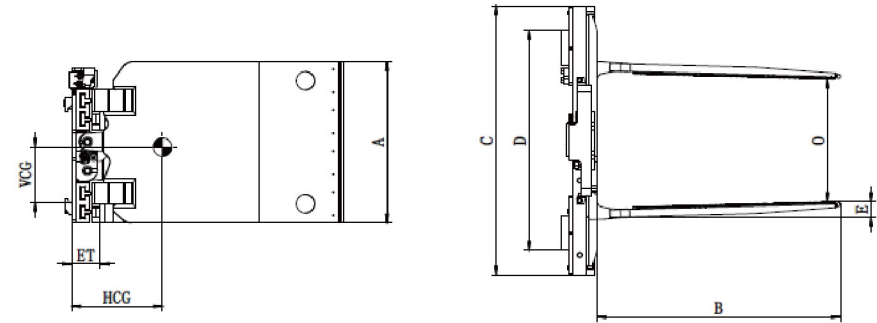
### Notes:

1. Please obtain the actual comprehensive bearing capacity of forklift/attachment from the forklift factory.
2. The forklift truck needs to add 2 groups of oil lines.
3. The arm thickness is the needed minimum wedge gap size when clamping, but not the real thickness.
4. Equipped with four-gear pressure regulating valve when delivered from the factory.

### Features:

1. Imported load keeping valves and cone sealed high-performance rubber hoses.
2. Four-gear pressure regulating valve can be used to set different suitable clamping power for different goods.
3. Equipped with sideshifting function inside.
4. High-performance alloy steel plates for left and right clamping panels.
5. Connection blocks are integrally charged with good anti-bending performance.

# Tobacco Carton Clamp



Capacity @ Load Center	Catalog Order No.	Mounting Class	Opening Range	Arm Height	Arm Length	Frame Width	Hook Spread	Arm Thickness	Weight	Effective Thickness	Vertical Center of Gravity	Horizontal Center of Gravity	Available Forklift
Kg @ mm	O(mm)	A(mm)	B(mm)	C(mm)	D(mm)	E(mm)	(kg)	ET (mm)	VCG (mm)	HCG (mm)	(t)		
1800@500	YX18G-A3	II	460-1740	565	1340	1040	825	60	640	117	212	451	2-2.5t
1800@500	YX18G-A6	II	535-1910	700	1035	1170	955	60	600	123	240	392	2-2.5t
1800@500	YX18G-A7	II	530-1905	700	1125	1170	955	65	630	123	240	431	2-2.5t
1800@500	YX18G-A8	II	465-1745	565	1165	1040	825	65	580	117	202	386	2-2.5t
1800@500	YX18G-A9	II	455-1700	500	1100	1040	825	65	500	117	191	386	2-2.5t
1800@500	YX18G-B1	III	465-1745	565	1150	1040	885	65	580	122	250	357	3-4.5t
1800@500	YX18G-B2	III	460-1740	565	1370	1040	885	65	670	122	248	459	3-4.5t
2200@500	YX22G-B1	III	540-1900	700	1125	1170	1050	65	640	123	280	425	3-4.5t

### Notes:

1. Please obtain the actual comprehensive bearing capacity of forklift/attachment from the forklift factory.
2. The forklift truck needs to add 2 groups of oil lines.
3. The arm thickness is the needed minimum wedge gap size when clamping, but not the real thickness.

### Features:

1. Imported load keeping valves and cone sealed high-performance rubber hoses.
2. High-performance alloy steel plates for left and right clamping panels.
3. Equipped with sideshifting function inside.
4. Connection blocks are integrally charged with good anti-bending performance.

# Carton Clamp Worksheet

## Customer information

Host factory/agent \_\_\_\_\_ Contact \_\_\_\_\_  
 Address \_\_\_\_\_ Post \_\_\_\_\_  
 Telephone \_\_\_\_\_ Fax \_\_\_\_\_ Email \_\_\_\_\_  
 End users \_\_\_\_\_ Contact \_\_\_\_\_  
 Address \_\_\_\_\_ Post \_\_\_\_\_  
 Telephone \_\_\_\_\_ Fax \_\_\_\_\_ Email \_\_\_\_\_

## Cargo condition information

Type of goods (refrigerators, washing machines, television, air conditioners, water heaters, LPG stoves and other appliances)

- Washing machine     Television     Air conditioners     Refrigerator  
 Water heater     Liquefied petroleum gas stove     Other appliances

## Stacking arrangement

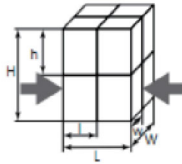
Storage stacking method \_\_\_\_\_ Stacking method during loading \_\_\_\_\_  
 \_\_\_\_\_  
 \_\_\_\_\_  
 \_\_\_\_\_  
 \_\_\_\_\_

## Description of carton stacking code

Carton type \_\_\_\_\_  
 Packed way \_\_\_\_\_  
 Whether the package?     Yes.     No.  
 Internal structure of carton (whether there is reinforced support)?     Yes.     No.

## Single transshipment or stowed cargo information

Project	Monomer carton	Single transshipment / stowage	Unit	Note
Length(l/L)			mm	
Width(w/W)			mm	
Height(h/H)			mm	
Weight(g/G)			kg	
Load Reststance(f/F)			N	
Stacking layers are M				
Quantity of goods N				
Other		Whether monomer transport is required?	<input type="checkbox"/> Yes. <input type="checkbox"/> No.	



Note: g is the mass of single carton, G is the total mass of single transfer or stacking, the length is the direction of arm range, and the width is the direction of arm length. If the clamping side of the cargo is limited to clamping (if only upper or lower), please specify

The internal structure of the carton (whether there is reinforced support or other stuffing), the description of the shape and characteristics of the goods, whether there are raised and non-clamped parts, please explain in detail.

\_\_\_\_\_  
 \_\_\_\_\_  
 \_\_\_\_\_



# Carton Clamp Worksheet

## Confirm cargo clamping method

Clamping along the width    Clamping along the length

Note: The selection of cargo clamping method should be combined with the above information, according to the weight of stacking to determine the quantity of clamping and stacking form; According to the distribution and structural characteristics of the internal support or stuffing, select the appropriate clamping surface, and consider the appropriate clamping force to ensure reliable clamping of goods.  
 Other description of the goods \_\_\_\_\_  
 \_\_\_\_\_  
 \_\_\_\_\_

## Requirements on clamping force of goods

Description of cargo clamping force requirements \_\_\_\_\_  
 \_\_\_\_\_  
 \_\_\_\_\_

## Forklift information

Forklift brand	Model	Door frame type	Maximum lift of portal frame	Bearing capacity	Cargo fork size
Cargo fork mounting class/width	Additional number of oil routes	Additional oil pressure	Additional oil flow rate	Remarks (whether twin, etc.)	

## Notes for Selection

Whether there is a special condition of the arm range  
 Yes. Maximum arm range \_\_\_\_\_ Maximum arm range \_\_\_\_\_  
 No.

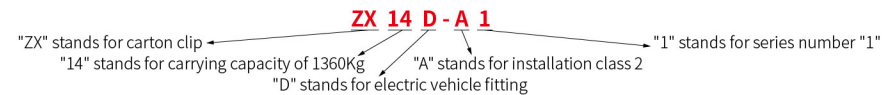
Note: when the maximum and minimum tensioning arms are located, there is no lateral movement function, and the lateral movement is 0.

## Optional accessories

Electronic pressure regulating valve  
 Whether there is a special condition of the need to add high shelf, splint, splint front to pick up goods, please specify:  
 \_\_\_\_\_  
 \_\_\_\_\_

Other Supplementary notes: \_\_\_\_\_  
 \_\_\_\_\_  
 \_\_\_\_\_

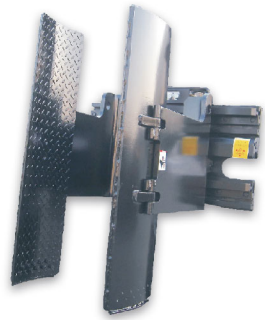
## Confirm the model



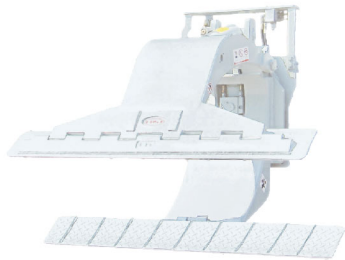
Different series Numbers mean that they are different from conventional models in terms of arm extension range, arm length, arm height and frame width.

# Tyre Clamp

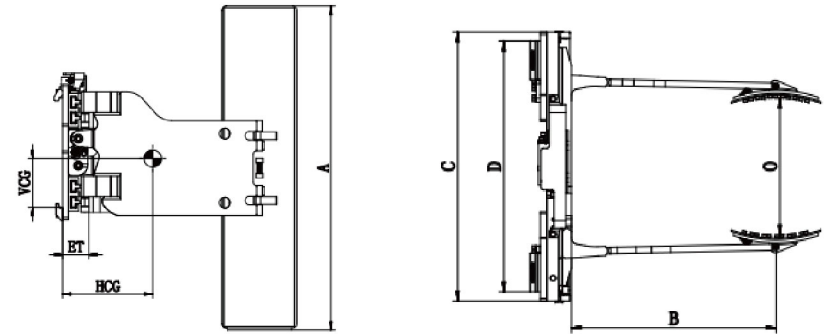
# Sideshifting Tyre Clamp



7-1 Sideshifting Tyre Clamp 39



7-2 Revolving Tyre Clamp 40



Capacity @ Load Center	Catalog Order NO.	Mounting Class	Clamping Range	Opening Range	Arm Height	Arm Length	Frame Width	Effective Thickness	Vertical Center of Gravity	Horizontal Center of Gravity	Weight	Available Forklift
Kg @ mm			(mm)	O(mm)	A(mm)	B(mm)	C(mm)	ET (mm)	VCG (mm)	HCG (mm)	(kg)	(t)
1000@680	LT10G-A1	II	580-1360	500-1680	1200	680	1040	122	184	331	540	1-2.5t
1000@680	LT10G-B1	III	580-1600	500-1680	1200	800	1040	127	230	399	625	3-4.5t

**Notes:**

1. Forklift trucks need to add 2 sets of oil lines;
2. Please obtain the actual comprehensive bearing capacity from the forklift manufacturer;
3. The effective clamping range is the recommended value of the actual size of the goods in the width direction.

**Features:**

1. Reduced Damage
  - With two-way hydraulic lock to achieve two-way hydraulic self-lock;
  - Clamp arms adopt high-strength steel plate to reduce damage.
2. Fast Handling
  - 360° rotation to quickly transition to and from bilge position;
  - Worm arm adopts involute gear to improve clamp arm speed.
  - Side shift function, easy to operate, and good vision
3. Excellent Durability
  - With large modulus slewing bearing to achieve high-strength capacity;
  - Highly durable rotator parts to extend service life.

**Introduction:**

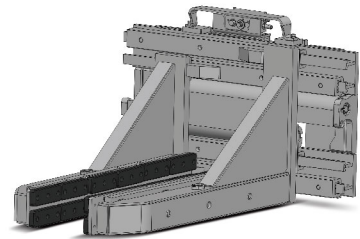
LDSJ Tyre Clamps offer safe and efficient handling worldwide for moving or stacking tyres. No matter what size, weight or type of tyres you're handling, LDSJ has the great attachment designed to match your product.



# Block Clamp



8-1 Block Clamp 43



8-2 F-series Block Clamp 44

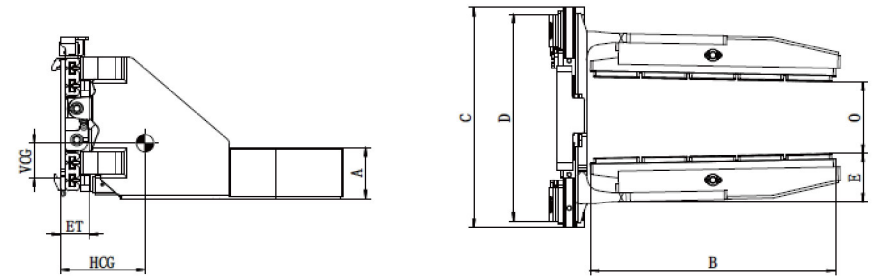


8-3 Cage Block Clamp 45

## Introduction:

Block clamps can efficiently handle and stack nearly any type of solid, regular cubic goods packed without pallets. They are widely used in construction material, metallurgy industries for handling concrete blocks, cement bricks, carton cubes, etc.

# Block Clamp



Capacity @ Load Center	Catalog Order NO.	Mounting Class	Opening Range	Arm Height	Arm Length	Frame Width	Hook Spread	Arm Thickness	Weight	Effective Thickness	Vertical Center of Gravity	Horizontal Center of Gravity
2700@500	ZK27G-A1	II	310-1625	234	1100	1010	950	202	760	132	171	361
2700@500	ZK27G-B1	III	330-1645	234	1470	1010	950	197	870	134	169	455
2700@500	ZK27G-B2	III	310-1625	234	1100	1010	950	202	760	134	163	384
2700@500	ZK27G-B3	III	320-1635	124	1100	1010	950	195	640	134	174	311
2700@500	ZK27G-B6	III	320-1635	238	1260	1010	950	195	830	134	155	441
1800@600	ZK15G-B1	III	350-1630	200	1170	1010	980	155	600	131	187	325
2000@500	ZK20G-B1	III	425-1850	190	1280	1265	980	200	700	137	172	348

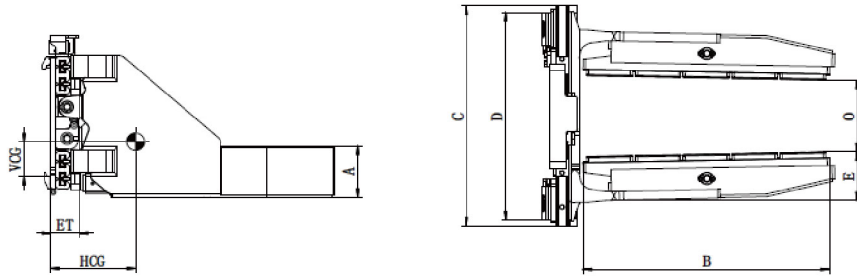
## Notes:

1. Please obtain the actual comprehensive bearing capacity of forklift/attachment from the forklift factory.
2. The forklift truck needs to add 2 groups of oil lines.

## Features:

1. Imported load keeping valves and cone sealed high-performance rubber hoses.
2. High-performance alloy steel plates for left and right clamping panels.
3. High-strength connection plates have good anti-deformation performance by heat treating.
4. Clamp arms are equipped with replaceable high-wear-resistance rubber blocks.
5. Equipped with sideshifting function inside.

# F-Series Block Clamp



Capacity @ Load Center	Catalog Order No.	Mounting Class	Opening Range	Arm Height	Arm Length	Frame Width	Hook Spread	Arm Thickness	Weight	Effective Thickness	Vertical Center of Gravity	Horizontal Center of Gravity
Kg @ mm			O(mm)	A(mm)	B(mm)	C(mm)	D(mm)	E(mm)	(kg)	ET (mm)	VCG (mm)	HCG (mm)
1800@600	ZK15F-B1	III	290-1600	160	1230	1100	970	191	680	132	139	339
1800@600	ZK15F-B2	III	270-1580	160	1265	1130	930	191	710	198	180	362

### Notes:

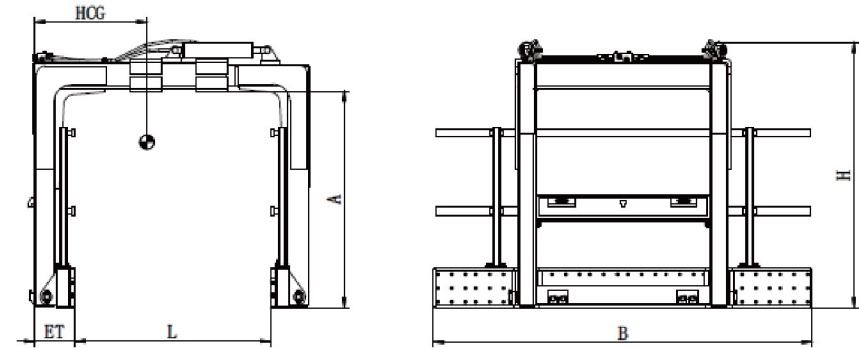
1. Please obtain the actual comprehensive bearing capacity of forklift/attachment from the forklift factory.
2. The forklift truck needs to add 2 groups of oil lines.

### Features:

1. Imported load keeping valves and cone sealed high-performance rubber hoses.
2. High-performance alloy steel plates for left and right clamping panels.
3. High-strength connection plates have good anti-deformation performance by heat treating.
4. Clamp arms are equipped with replaceable high-wear-resistance rubber blocks.
5. Equipped with sideshifting function inside.



# Cage Block Clamp



Capacity @ Load Center	Catalog Order No.	Mounting Class	Opening Range	Arm Height	Overall Height	Slinpt Width	Effective Thickness	Horizontal Center of Gravity	Weight	Available Forklift
Kg @ mm			(mm)	A(mm)	H(mm)	B(mm)	ET (mm)	HCG (mm)	(kg)	(t)
1500@650	ZK15T-B1	III	1100-1400	1250	1550	1250	235	950	800	3-4.5t
1500@650	ZK15T-B2	III	700-1000	1250	1550	1250	235	700	720	3-4.5t
2000@650	ZK20T-B1	III	1100-1400	1250	1550	2170	235	950	950	3-4.5t
2000@650	ZK20T-B2	III	700-1000	1250	1550	2100	235	950	835	3-4.5t

### Notes:

1. Please obtain the actual comprehensive bearing capacity of forklift/attachment from the forklift factory.
2. The forklift truck needs to add a group of oil lines.

### Features:

1. Overflow valves for hydraulic system can adjust the clamping for different blocks.
2. Hydraulic control check valves for oil cylinder can realise holding pressure.
3. Imported load keeping valves and cone sealed high-performance rubber hoses.
4. Advanced damping technology.
5. Excellent visibility.
6. Especially suitable for carrying and palletizing aerated blocks.

# Block Clamp Worksheet

## Customer information

Host factory/agent \_\_\_\_\_ Contact \_\_\_\_\_  
 Address \_\_\_\_\_ Post \_\_\_\_\_  
 Telephone \_\_\_\_\_ Fax \_\_\_\_\_ Email \_\_\_\_\_  
 End users \_\_\_\_\_ Contact \_\_\_\_\_  
 Address \_\_\_\_\_ Post \_\_\_\_\_  
 Telephone \_\_\_\_\_ Fax \_\_\_\_\_ Email \_\_\_\_\_

## Cargo condition information

Type of goods (cement solid brick, cement hollow brick, coal ash brick, aerated brick, local brick, etc.)

- Cement solid brick     Concrete hollow brick     Fly ash brick     Aerated brick  
 Local brick     Other shaped bricks

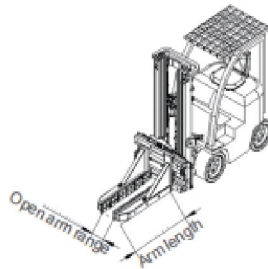
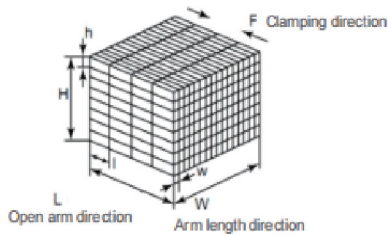
## Stacking arrangement

- (1) Storage stacking method                      (2) Stacking method during loading

## Brick pressure conditions, etc

- (1) The compressive strength of a brick
- (2) Brick size consistency
- (3) Regularity of bricks
- (4) Compressive abrasion of bricks

Single transshipment or stowed cargo information



# Block Clamp Worksheet



Project	Monomer building blocks	Single transshipment or stowage	Unit	Note
Length (l/L)			mm	
width (w/W)			mm	
Height (h/H)			mm	
Weight (g/G)			kg	
Load resistance(f/F)			N	
The stacking layers are M				
Quantity of goods N				
Description of operating conditions				
Other	Whether the package <input type="checkbox"/> Yes <input type="checkbox"/> No			
	Package direction <input type="checkbox"/> W side <input type="checkbox"/> L side			
	Whether there are gaps between the bricks <input type="checkbox"/> Yes <input type="checkbox"/> No			
	Is there cross stacking in adjacent 2 floors <input type="checkbox"/> Yes <input type="checkbox"/> No			

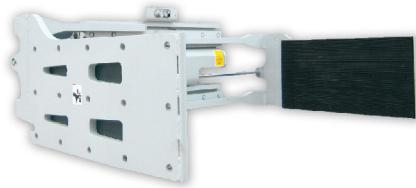
Note: g is the mass of single brick, and G is the total mass of single transfer or stacking.

## Forklift information

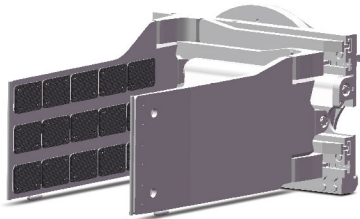
Forklift brand	Model	Door frame type	Maximum lift of portal frame	Bearing capacity	Cargo fork size
Cargo fork mounting class/width	Additional number of oil routes	Additional oil pressure	Additional oil flow rate	Remarks (whether twin, etc.)	

# Multi-purpose Clamp

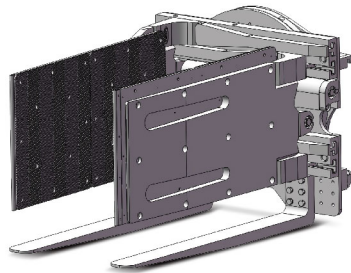
# Multi-purpose Clamp



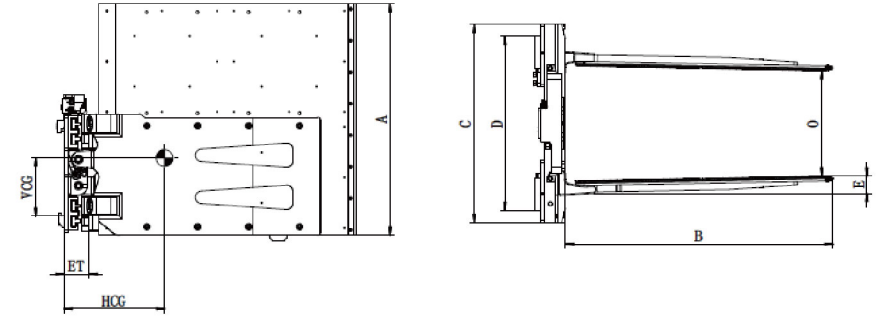
9-1 Multi-purpose Clamp 49



9-2 Revolving Multi-purpose Clamp 50



9-3 Fork Revolving Multi-purpose Clamp 51



Capacity @ Load Center Kg @ mm	Catalog Order NO.	Mounting Class	Opening Range	Arm Height	Arm Length	Frame Width	Hook Spread	Arm Thickness	Weight	Effective Thickness	Vertical Center of Gravity	Horizontal Center of Gravity	Available Forklift
			O(mm)	A(mm)	B(mm)	C(mm)	D(mm)	E(mm)	(kg)	ET (mm)	VCG (mm)	HCG (mm)	(t)
1900@500	GJ18J-A1	II	550-1790	455	1075	1040	825	65	460	117	185	335	1-2.5t
1900@500	GJ18J-A2	II	500-1750	1100	1260	940	825	77	630	117	275	473	1-2.5t
2500@500	GJ27J-B1	III	585-1955	455	1090	1010	970	70	560	132	234	326	3-4.5t
2500@500	GJ27G-B2	III	585-1955	506	1055	1010	970	70	610	132	230	311	3-4.5t

### Notes:

1. Please obtain the actual comprehensive bearing capacity of forklift/attachment from the forklift factory.
2. The forklift truck needs to add 2 groups of oil lines.
3. The arm thickness is the needed minimum wedge gap size when clamping, but not the real thickness.

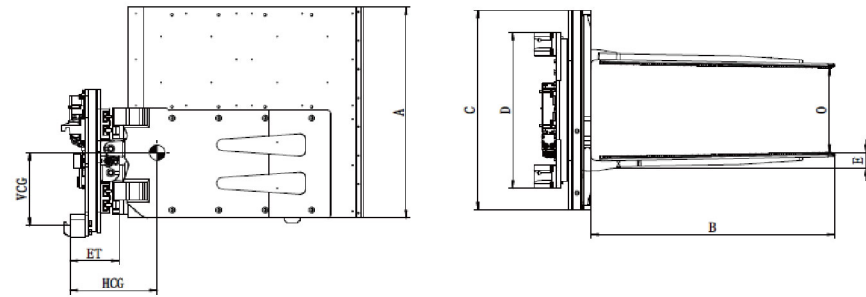
### Features:

1. Imported load keeping valves and cone sealed high-performance rubber hoses.
2. High-performance alloy steel plates for left and right clamping panels.
3. With side shift function inside.
4. Clamping rubber plates are easy to replace.
5. Applied to non-pallet carrying and stacking operation.

### Introduction:

Multi-Purpose clamps can efficiently and economically handle any types of paper carton, wooden box, carton, metal box and baled products, and reduce the use of pallets.

# Revoling Multi-purpose Clamp



Capacity @ Load Center	Catalog Order No.	Mounting Class	Opening Range	Arm Height	Arm Length	Frame Width	Hook Spread	Arm Thickness	Weight	Effective Thickness	Vertical Center of Gravity	Horizontal Center of Gravity	Available Forklift
Kg @ mm	O(mm)	A(mm)	B(mm)	C(mm)	D(mm)	E(mm)	(kg)	ET (mm)	VCG (mm)	HCG (mm)	(t)		
1900@500	GJ19RT-A1	II	585-1825	455	1075	1040	814	70	750	252	210	315	1-2.5t
1900@500	GJ19RT-B1	III	440-1680	1100	1260	1040	814	77	910	252	363	449	3-4.5t

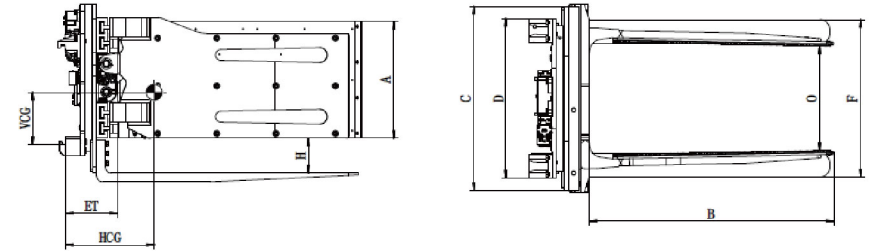
### Notes:

1. Please obtain the actual comprehensive bearing capacity of forklift/attachment from the forklift factory.
2. The forklift truck needs to add 2 groups of oil lines.
3. The arm thickness is the needed minimum wedge gap size when clamping, but not the real thickness.

### Features:

1. Two-way hydraulic locks for rotating oil lines ensure safety when working.
2. High-performance alloy steel plates for left and right clamping panels.
3. 360 degrees of rotation.
4. Clamping rubber plates are easy to replace.
5. Rotating oil hinge has the self-locking function.

# Fork Revoling Multi-purpose Clamp



Capacity @ Load Center	Catalog Order No.	Mounting Class	Opening Range	Fork Distance	Arm Height	Arm Length	Frame Width	Hook Spread	Fork Dimensions	Arm fork Spacing	Weight	Effective Thickness	Vertical Center of Gravity	Horizontal Center of Gravity	Available Forklift
Kg @ mm	O(mm)	F(mm)	A(mm)	B(mm)	C(mm)	D(mm)	(mm)	(mm)	(kg)	ET (mm)	VCG (mm)	HCG (mm)	(t)		
1600@600	GJ16RT-A2	II	540-1770	762	600	1235	940	814	45X100X1280	155	960	264	264	441	1-2.5t
1600@600	GJ16RT-B2	III	540-1770	674/804/934	600	1235	940	814	45X122X1280	177	990	260	265	442	3-4.5t
1600@600	GJ16RT-B3	III	550-1780	500/630	450	1220	940	814	45X122X1280	50	930	260	239	420	3-4.5t
1600@600	GJ16RT-B4	III	580-1810	660/790	450	1220	940	814	45X122X1280	50	880	260	238	388	3-4.5t

### Notes:

1. Please obtain the actual comprehensive bearing capacity of forklift/attachment from the forklift factory.
2. The forklift truck needs to add 2 groups of oil lines.
3. The arm thickness is the needed minimum wedge gap size when clamping, but not the real thickness.

### Features:

1. Two-way hydraulic locks for rotating oil lines ensure safety when working.
2. High-performance alloy steel plates for left and right clamping panels.
3. 360 degrees of rotation.
4. Clamping rubber plates are easy to replace.
5. Rotating oil hinge has the self-locking function.

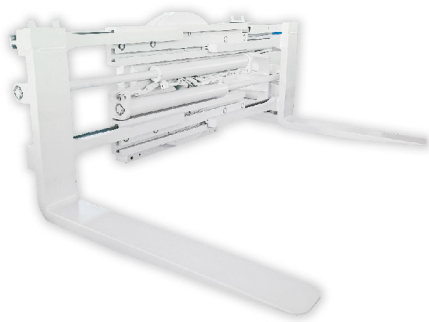
Multi-purpose Clamp

# Fork Clamp

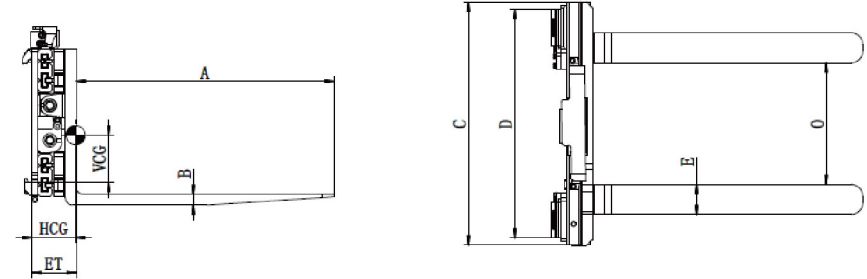
# Fork Clamp



10-1 Fork Clamp 53



10-2 Rotating Fork Clamp 54



Capacity @ Load Center	Catalog Order NO.	Mounting Class	Opening Range	Fork Length	Fork Width	Fork Thickness	Frame Width	Hook Spread	Weight	Effective Thickness	Vertical Center of Gravity	Horizontal Center of Gravity	Available Forklift
Kg @ mm			O(mm)	A(mm)	E(mm)	B(mm)	C(mm)	D(mm)	(kg)	ET (mm)	VCG (mm)	HCG (mm)	(t)
1600@600	CJ16G-A1	II	400-1625	1070	100	35	1040	825	320	167	155	170	1-2.5t
1600@600	CJ16G-A2	II	400-1625	1200	100	35	1040	825	330	167	161	170	1-2.5t
2300@600	CJ23G-B1	III	510-1820	1070	125	45	1010	950	440	186	214	163	3-4.5t
2300@600	CJ23G-B3	III	510-1820	1520	125	45	1010	950	470	186	181	243	3-4.5t
2300@600	CJ23G-B5	III	510-1820	1200	125	45	1010	950	450	186	191	198	3-4.5t
2300@600	CJ23G-B5-02	III	510-1820	1300	125	45	1010	950	460	186	188	211	3-4.5t
4000@600	CJ40G-C1	IV	480-2030	1670	150	60	1300	1015	1000	236	475	265	5-7t

**Notes:**

1. Please obtain the actual comprehensive bearing capacity of forklift/attachment from the forklift factory.
2. The forklift truck needs to add 2 groups of oil lines.

**Features:**

1. Imported load keeping valves and cone sealed high-performance rubber hoses.
2. Clamp arms adopt alloy steel castings for high-strength.
3. Equipped with sideshifting function inside.
4. Guide rail assembly for good anti-bending performance.

**Introduction:**

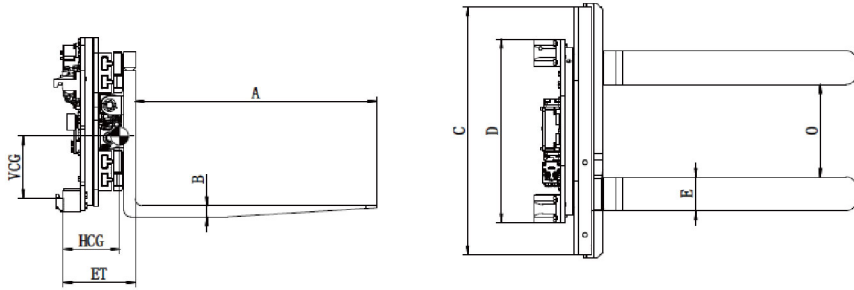
Fork Clamps are generally used in handling palletised goods as well as for clamping purpose, such as wooden crates, bales and tires. The operator can switch it freely between fork and clamp as required.

Fork Clamp

# Rotating Fork Clamp



## Note



Capacity @ Load Center	Catalog Order No.	Mounting Class	Opening Range	Fork Length	Fork Width	Fork Thickness	Frame Width	Hook Spread	Weight	Effective Thickness	Vertical Center of Gravity	Horizontal Center of Gravity	Available Forklift
Kg @ mm			O(mm)	A(mm)	E(mm)	B(mm)	C(mm)	D(mm)	(kg)	ET (mm)	VCG (mm)	HCG (mm)	(t)
2300@600	CJ23R-A1	II	460-1830	1370	125	50	1100	814	720	318	266	277	2-2.5t
2300@600	CJ23R-B2	III	410-1805	1070	150	50	1100	814	710	318	266	235	3-4.5t
2300@600	CJ23R-B3	III	515-1880	1200	125	45	1100	814	690	318	264	233	3-4.5t
2300@600	CJ23R-B4	III	410-1780	1520	150	50	1100	814	780	318	252	323	3-4.5t
2300@600	CJ23R-B6	III	460-1830	1370	125	50	1100	814	700	318	170	279	3-4.5t
2300@600	CJ23R-B9	III	460-1830	1220	125	50	1100	814	710	318	263	249	3-4.5t
2300@600	CJ23R-B11	III	410-1780	1820	150	50	1100	814	875	318	245	366	3-4.5t
3200@600	CJ32R-B1	III	480-2030	1520	150	60	1300	922	1280	383	280	314	4.5t
3200@600	CJ32G-C1	IV	480-2030	1520	150	60	1300	980	1310	396	286	323	5-7t
3200@600	CJ32G-C2	IV	480-2030	1220	150	60	1300	980	1260	396	276	283	5-7t

### Notes:

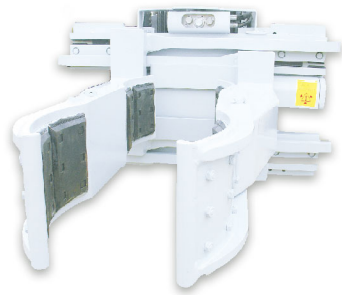
1. Please obtain the actual comprehensive bearing capacity of forklift/attachment from the forklift factory.
2. The forklift truck needs to add 2 groups of oil lines.

### Features:

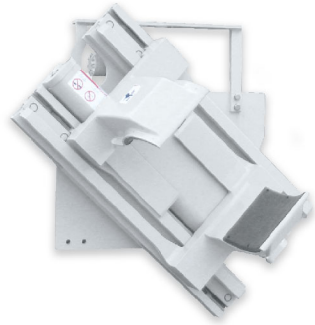
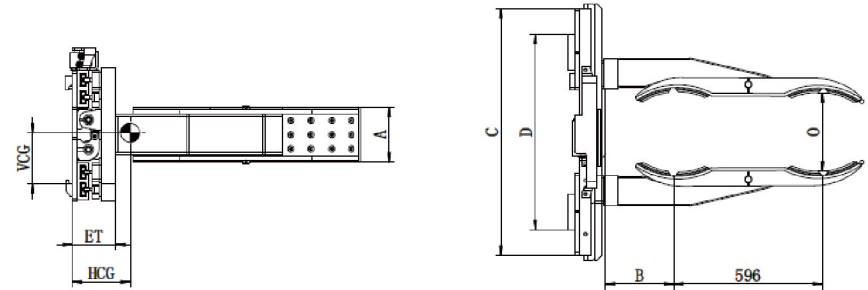
1. Imported oil cylinder seals and high-performance rubber hoses ensure reliability and safety.
2. All the structural parts adopt alloy steel plates.
3. 360 degrees of rotation.
4. Excellent visibility.

# Drum Clamp

# Sideshifting Drum Clamp



11-1 Sideshifting Drum Clamp 57



11-2 Revolving Drum Clamp 58

Capacity @ Load Center	Catalog Order NO.	Mounting Class	Opening Range	Arm Height	Arm Length	Frame Width	Hook Spread	Weight	Effective Thickness	Vertical Center of Gravity	Horizontal Center of Gravity	Available Forklift
Kg @ mm			O(mm)	A(mm)	E(mm)	C(mm)	D(mm)	(kg)	ET (mm)	VCG (mm)	HCG (mm)	(t)
1400@500	TJ14S-A1	II	320-1450	230	300	1040	825	410	183	215	243	2-2.5t
1000@500	TJ10S-A1	II	400-1400	235	494	1040	825	350	138	215	144	1-2.5t
1900@500	TJ19S-A1	II	520-1740	235	325	1040	825	458	143	215	233	2-2.5t
1400@500	TJ14S-B1	III	320-1540	230	300	1040	1000	420	188	265	256	3-4.5t
1900@500	TJ19S-B1	III	520-1740	235	325	1040	1000	340	188	267	107	3-4.5t

## Introduction:

Drum clamps can handle one, two or four drums during transportation, ensure the safe and reliable clamping and improve the handling efficiency. They are widely used in barrelled cargo stacking operations, such as oil, petrochemical and food industry

## Notes:

1. Please obtain the actual comprehensive bearing capacity of forklift/attachment from the forklift factory.
2. The forklift truck needs to add 2 groups of oil lines.
3. The cover picture shows the four-barrel clamp.

## Features:

1. Imported load keeping valves and cone sealed high-performance rubber hoses.
2. High-performance alloy steel plates for left and right clamping panels.
3. Inside of clamping arms are covered with replaceable anti-skid rubber strips.
4. With side shift function inside.
5. Excellent visibility.



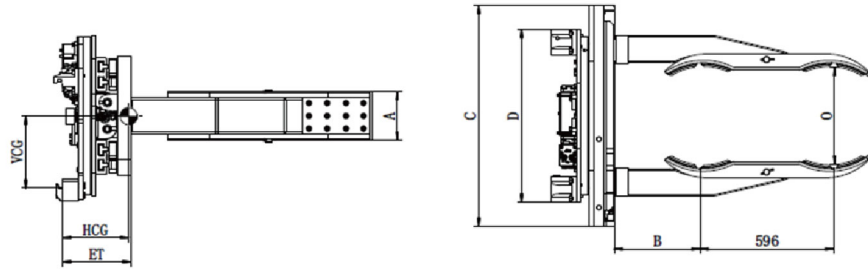
11-3 Olecranon Drum Clamp 59

## Introduction:

Olecranon drum clamp is a simple attachment for handling standard iron drums. It can efficiently stack and handle the standard iron drums.

Drum Clamp

# Revoling Drum Clamp



Capacity @ Load Center	Catalog Order No.	Mounting Class	Opening Range	Arm Height	Arm Length	Frame Width	Hook Spread	Weight	Effective Thickness	Vertical Center of Gravity	Horizontal Center of Gravity	Available Forklift
Kg @ mm			O(mm)	A(mm)	E(mm)	C(mm)	D(mm)	(kg)	ET (mm)	VCG (mm)	HCG (mm)	(t)
1600@600	TJ19R-A1	II	470-1700	800	320	1040	814	800	275	325	380	1-2.5t
1900@310	TJ19R-A2	II	520-1750	235	337	1040	815	450	194	258	140	1-2.5t
1600@600	TJ19R-A3	II	470-1700	230	300	1040	814	670	275	324	279	1-2.5t
1600@600	TJ19R-B1	III	470-1700	800	320	1040	814	810	275	334	380	3-4.5t
1900@310	TJ19R-B2	III	520-1750	235	337	1040	610	470	226	325	142	3-4.5t
1600@600	TJ19R-B3	III	470-1700	230	300	1040	814	640	275	332	279	3-4.5t

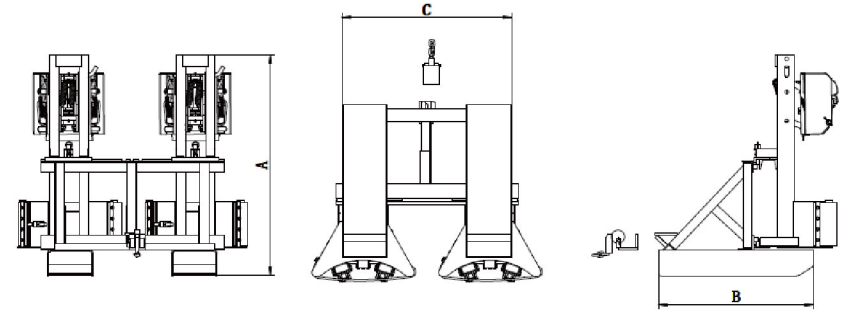
### Notes:

1. Please obtain the actual comprehensive bearing capacity of forklift/attachment from the forklift factory.
2. The forklift truck needs to add 2 groups of oil lines.
3. The cover picture shows the two-barrel clamp.

### Features:

1. Imported load keeping valves and cone sealed high-performance rubber hoses.
2. High-performance alloy steel plates for left and right clamping panels.
3. Inside of clamping arms are covered with replaceable anti-skid rubber strips.
4. 360 degrees of rotation.
5. Excellent visibility.

# Olecranon Drum Clamp

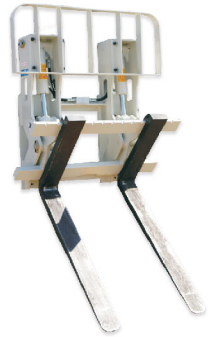


Capacity @ Load Center	Catalog Order No.	Overall Length	Overall Height	Weight	Frame Width	Available Forklift
Kg @ mm		B(mm)	A(mm)	(kg)	C(mm)	(t)
500@1500	YT05G-A1	710	952	82	745	1-7t
900@1500	YT09G-A1	1080	960	115	840	1-7t
2000@1500	YT20G-B1	1080	980	165	840	1-7t

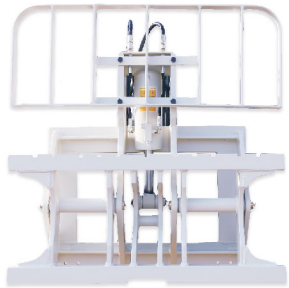
### Notes:

1. Please obtain the actual comprehensive bearing capacity of forklift/attachment from the forklift factory.
2. It can be directly covered on the forks with convenient installation.
3. The actual load center spacing is large, and the effective load may be only about half of the actual load.

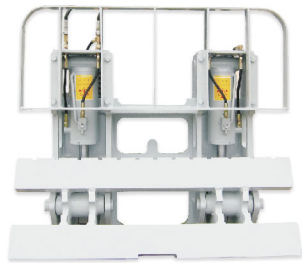
# Hinged Fork



12-1 Economical Hinged Fork 61



12-2 Single-Cylinder Hinged Fork 62

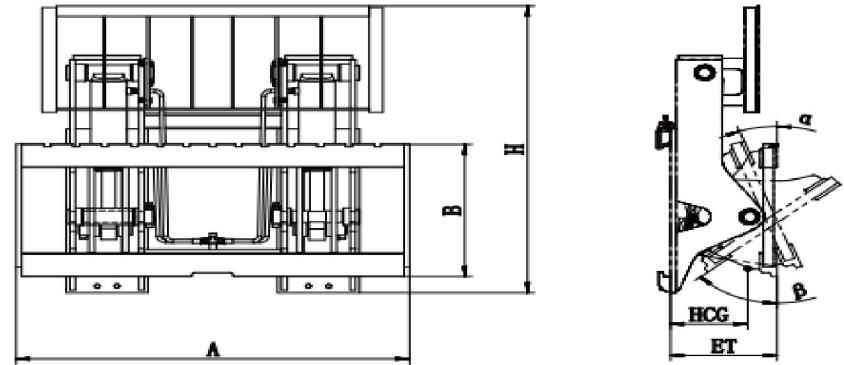


12-3 Double-Cylinder Hinged Fork 63

## Introduction:

LDSJ Hinged Fork can increase the fork carriage leaning and stoping angle with tilt up 25°, tilt down 45°. It's widely used in recycling, fertilizer, sediment, plastic grain and so on. With LDSJ Hinged Fork, you can greatly improve the flexibility and efficiency.

# Economical Hinged Fork



Capacity @ Load Center	Catalog Order No.	Mounting Class	The goods fork class	Cylinder number	Carrige Width	Carrige Height	Overall Height	Tilt Forward/ Tilt Backward	Effective Thickness	Horizontal Center of Gravity	Weight	Available Forklift
Kg @ mm					A(mm)	B(mm)			ET (mm)	HCG (mm)	(kg)	(t)
2000@500	QF20F-A3-01	II	II	Double	1100	407	1123	45°/20°	335	165	251	1-2.5t
3000@500	QF30J-B5	III	III	Double	1132	506	1110	45°/20°	340	155	295	3-4.5t
3500@500	QF30F-B2	III	III	Double	1132	506	1095	50°/20°	305	155	275	3-4.5t

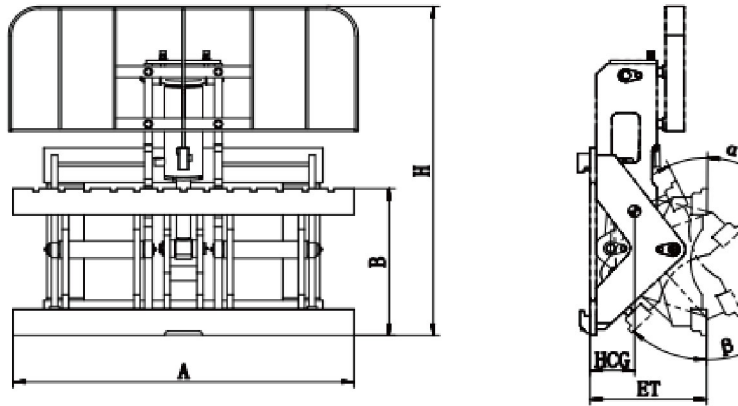
## Notes:

- 1.Forklift trucks need to add 1 sets of oil lines;
- 2.Please obtain the actual comprehensive bearing capacity from the forklift manufacturer;
- 3.Tilting cylinder does not have self-locking function;
- 4.Various types of tipping buckets can be equipped according to user needs.

## Features:

- Highly durable seals and hydraulic parts to provide superior service life;
- The fork frame adopts high-performance alloy steel plate with high strength;
- 45° forward tilt and 20° backward tilt to dump goods well.

# Single-Cylinder Hinged Fork



Capacity @ Load Center	Catalog Order No.	Mounting Class	The goods fork class	Cylinder number	Carrage Width	Carrage Height	Overall Height	Tilt Forward/Tilt Backward	Effective Thickness	Horizontal Center of Gravity	Weight	Available Forklift
Kg @ mm					A(mm)	B(mm)			ET (mm)	HCG (mm)	(kg)	(t)
2000@500	QF20F-A1	II	III	Single	1100	506	1132	45°/25°	375	165	315	1-2.5t
2000@500	QF20F-A2	II	II	Single	1040	407	1132	45°/25°	375	165	295	1-2.5t
3000@500	QF30F-B1	III	III	Single	1100	506	1132	45°/25°	375	165	305	3-4.5t

### Notes:

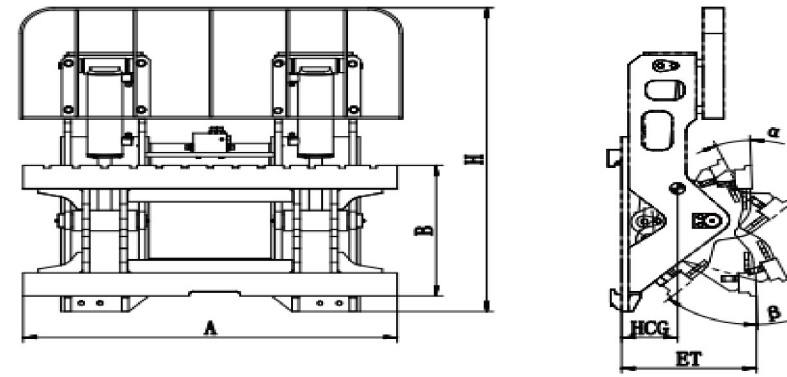
1. Forklift trucks need to add 1 sets of oil lines, Oil cylinder with self-locking function;
2. Please obtain the actual comprehensive bearing capacity from the forklift manufacturer;
3. Various types of tipping buckets can be equipped according to user needs.

### Features:

- Highly durable seals and hydraulic parts to provide superior service life;
- The fork frame adopts high-performance alloy steel plate with high strength;
- 45° forward tilt and 20° backward tilt to dump goods well.



# Double-Cylinder Hinged Fork



Capacity @ Load Center	Catalog Order No.	Mounting Class	The goods fork class	Cylinder number	Carrage Width	Carrage Height	Overall Height	Tilt Forward/Tilt Backward	Effective Thickness	Horizontal Center of Gravity	Weight	Available Forklift
Kg @ mm					A(mm)	B(mm)			ET (mm)	HCG (mm)	(kg)	(t)
3500@500	QF35F-B1-02	III	III	Double	1100	506	1172	45°/25°	392	165	360	3-4.5t
4500@600	QF45F-B1-01	III	III	Double	1800	506	1172	45°/25°	392	193	680	3-4.5t
4500@600	QF45F-B2-01	III	III	Double	1126	506	1172	45°/25°	392	132	510	3-4.5t
4500@600	QF45F-B3-01	III	III	Double	1500	506	1172	45°/25°	392	190	670	3-4.5t
4500@600	QF45F-B4-01	III	III	Double	1380	506	1172	45°/25°	392	190	600	3-4.5t
5000@600	QF50F-C1-01	IV	III	Double	1800	506	1172	45°/25°	392	193	690	5-7t
5000@600	QF50F-C2-01	IV	IV	Double	1785	634	1210	45°/25°	427	210	785	5-7t

### Notes:

1. Forklift trucks need to add 1 sets of oil lines, Standard self-locking valve;
2. Please obtain the actual comprehensive bearing capacity from the forklift manufacturer;
3. Various types of tipping buckets can be equipped according to user needs.

### Features:

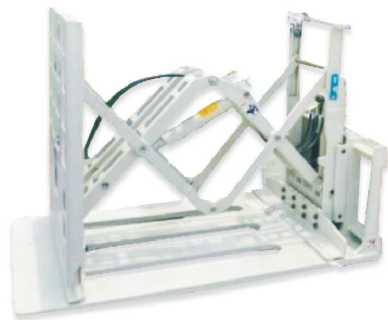
- Highly durable seals and hydraulic parts to provide superior service life;
- The fork frame adopts high-performance alloy steel plate with high strength;
- 45° forward tilt and 20° backward tilt to dump goods well.

Hinged Fork

# Push Pull



13-1 Quick-installed Push Pull 65

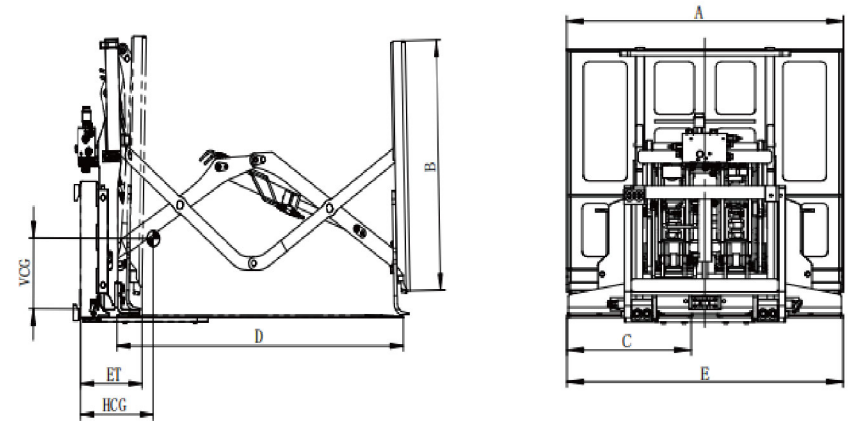


13-2 Integral fork plate Push Pull 66

### Introduction:

Push/pulls are designed for palletless packet goods handling operations. These push/pulls are rugged, heavy duty attachments for high cycle slipsheet applications, requiring high productivity with low maintenance. LDSJ dedicated push/pulls are the best performing and durable push/pulls available.

# Quick-installed Push Pull



Capacity @ Load Center	Catalog Order NO.	Mounting Class	Push Range	Baffle Height × Width	Platen Height × Width	Outside platen spacing	Effective Thickness	Vertical Center of Gravity	Horizontal Center of Gravity	Weight	Available Forklift
Kg @ mm			F (mm)	B × A (mm)	D × C (mm)	E (mm)	ET (mm)	VCG (mm)	HCG (mm)	(kg)	(t)
<b>Skateboard can not stay</b>											
1600@500	TL16L-A1	II	1230	920 × 1014	1235 × 455	1012	190	300	270	360	1-2.5t
2000@500	TL20L-B1	III	1230	920 × 1014	1235 × 455	1012	215	315	295	410	3-4.5t
<b>Skateboard can stay</b>											
1600@500	TL16L-A2	II	1230	920 × 1014	1320 × 455	1012	275	280	296	435	1-2.5t
1600@500	TL16L-A4	II	1350	975 × 1014	1445 × 455	1012	285	290	320	500	1-2.5t
2000@500	TL20L-B2	III	1230	920 × 1014	1330 × 455	1012	295	285	300	495	3-4.5t
2000@500	TL20L-B4	III	1230	920 × 1014	1330 × 1012	1012	295	285	300	505	3-4.5t
2000@500	TL20L-B6	III	1230	1120 × 1400	1330 × 650	1400	295	295	320	495	3-4.5t
2000@500	TL20L-B8	III	1230	1050 × 1300	1330 × 598	1298	295	310	315	500	3-4.5t
2000@650	TL20L-B10	III	1350	1120 × 1500	1450 × 699	1500	300	300	350	650	3-4.5t
2500@700	TL25L-B1	III	1400	1120 × 1400	1500 × 700	1500	305	320	330	780	3-4.5t

### Notes:

1. Forklift trucks need to add 1 set of oil lines;
2. Please obtain the actual comprehensive bearing capacity from the forklift manufacturer;
3. Quick-installed Push/pulls push-pull device with standard fork need to be purchased separately.

### Features:

- Fork plate and connecting plate adopt high-strength plate to extend service life;
- High visibility pantograph, gripper jaw and faceplate;
- Simplified hydraulic circuit and highly durable hydraulic part;
- Two sets of cylinders are controlled by overflow valve and with a good view.

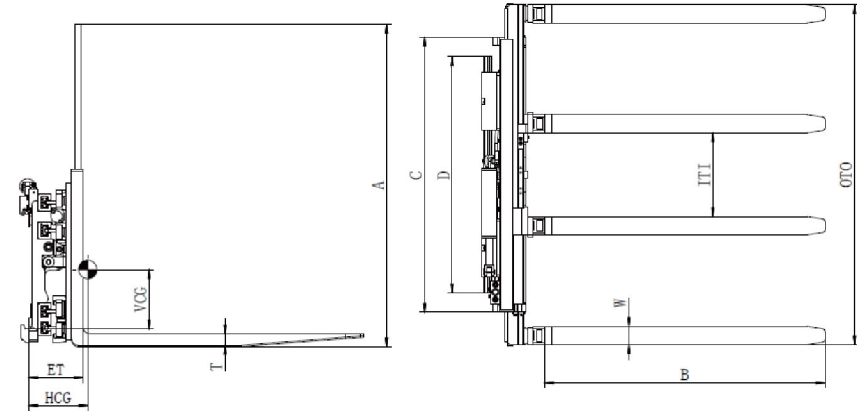


# Single Double Pallets Handler

# Single Double Pallets Handler



14 Single Double Pallets Handler 69



## Introduction:

Single Double Pallets Handlers are flexible application of single or double pallets handling. They are widely used for handling and stacking operations in food and beverage industry, import and export trade and bottled goods industry.

Capacity @ Load Center	Catalog Order NO.	Mounting Class	Fork Width	Opening Range ITI	Opening Range OTO	Fork Size	Arm Height	Hanging Plate Width	Effective Thickness	Vertical Center of Gravity	Horizontal Center of Gravity	Weight	Available Forklift
Kg @ mm			C(mm)	ITI(mm)	OTO(mm)	BxWxT(mm)	A(mm)	D(mm)	ET (mm)	VCG (mm)	HCG (mm)	(kg)	(t)
2800@600	DS28G-A1	II	1100	371-729	705-2100	1065x80x50	1260	970	246	257	224	550	1-2.5t
2800@600	DS28G-B1	III	1105	371-729	705-2100	1065x80x50	1260	1030	236	257	224	550	3-4.5t
2800@600	DS28G-B2	III	1105	371-729	705-2100	1220x80x50	1260	1030	236	249	264	570	3-4.5t
2800@600	DS28G-B6	III	1175	301-659	635-2030	1220x80x50	1260	1030	236	252	250	570	3-4.5t
4000@600	DS40G-C1	IV	1175	301-657	635-2030	1200x80x60	129	1292	291	354	260	810	5-7t

## Notes:

1. Please obtain the actual comprehensive bearing capacity of forklift/attachment from the forklift factory.
2. The forklift truck needs to add 2 groups of oil lines.

## Features:

1. Imported load keeping valves and cone sealed high-performance rubber hoses.
2. High-performance alloy steel plates for the guide rail assembly.
3. With side shift function inside.
4. Two pairs of forks can handle two pallets at one time while being separated, and can operate flexibly while being closed.

# Single Double Pallet Handler Worksheet

## Customer information

Host factory/agent \_\_\_\_\_ Contact \_\_\_\_\_  
 Address \_\_\_\_\_ Post \_\_\_\_\_  
 Telephone \_\_\_\_\_ Fax \_\_\_\_\_ Email \_\_\_\_\_  
 End users \_\_\_\_\_ Contact \_\_\_\_\_  
 Address \_\_\_\_\_ Post \_\_\_\_\_  
 Telephone \_\_\_\_\_ Fax \_\_\_\_\_ Email \_\_\_\_\_

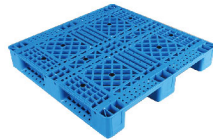
## Tray type



Solid wood pallet



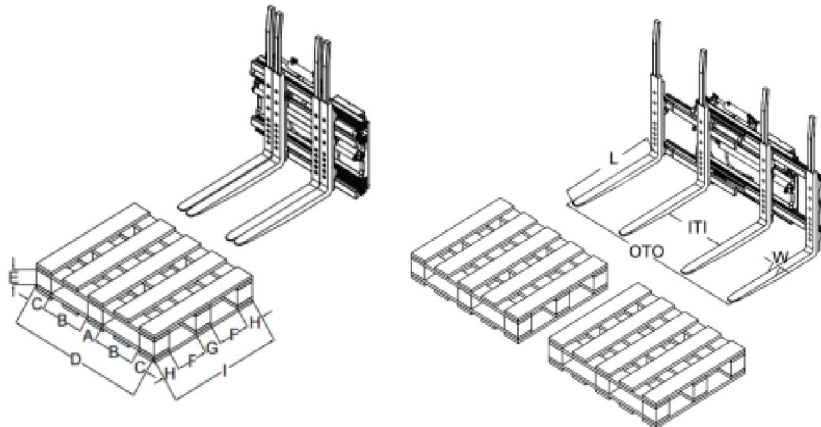
Slatted wooden tray



Plastic tray

Description of other types of pallets and special usage requirements (photos of pallets are required) \_\_\_\_\_  
 \_\_\_\_\_  
 \_\_\_\_\_

## Pallet dimensions and pallet fork key dimensions



Dimensions: (Unit,mm)

A \_\_\_\_\_ B \_\_\_\_\_ C \_\_\_\_\_ D \_\_\_\_\_ E \_\_\_\_\_ F \_\_\_\_\_ G \_\_\_\_\_  
 H \_\_\_\_\_ I \_\_\_\_\_ Inside cargo fork range (ITI) \_\_\_\_\_ Cargo fork width (W) \_\_\_\_\_  
 Outer Fork Range (OTO) \_\_\_\_\_ Cargo fork length (L) \_\_\_\_\_



# Single Double Pallet Handler Worksheet

## Pallet fork handling status

① Can the fork reach the lath at the end of the pallet

Can  Can't

② Does the fork go in from all sides of the tray

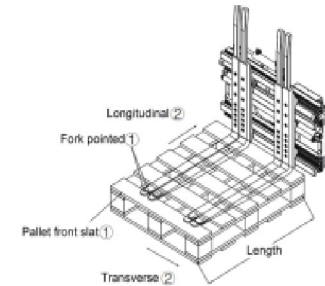
Can  Can't

If there are four forks

Frequency of pallet longitudinal fork operation (%)

Frequency of pallet crosswalk operation (%)

Note:Vertical refers to the direction along the length of the fork or the length of the tray,while horizontal refers to the direction across the length of the tray (see the diagram).



## Pallet concern

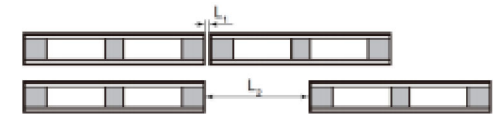
Do you need to close and separate two pallets for fork goods

Yes  No

If you have

Tray spacing: when two trays are closed, the inner spacing L1= \_\_\_\_\_

Tray spacing: when two trays are open, the inner spacing L2= \_\_\_\_\_



## Forklift information

Forklift brand	Model	Door frame type	Maximum lift of portal frame	Bearing capacity	Cargo fork size
Cargo fork mounting class/width	Additional number of oil routes	Additional oil pressure	Additional oil flow rate	Remarks (whether twin, etc.)	

# Turnaload

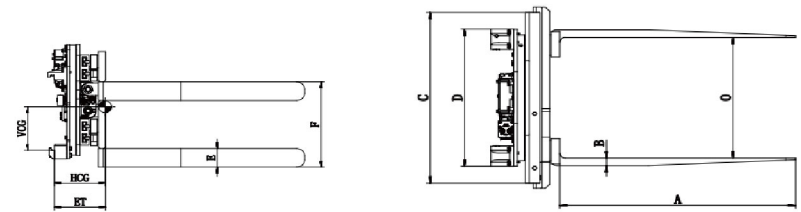


15 Turnaload 73

## Introduction:

Equipped with gripper rotation and handling function for loading, unloading and sorting of box and soft bale cargo, LDSJ Turnaloads provide you with more efficiency and stability.

# Turnaload



Capacity @ Load Center	Catalog Order No.	Mounting Class	Opening Range	Tire Size	Tire Spacing	Effective Thickness	Vertical Center of Gravity	Horizontal Center of Gravity	Weight	Available Forklift
Kg @ mm			A(mm)	(mm)	B(mm)	ET (mm)	VCG(mm)	HCG (mm)	(kg)	(t)
1000@685	XC10G-A1	II	390-1390	45x150x1370	800	313	328	386	875	2-2.5t
1500@610	XC15G-B1	III	1020-2330	45x125x1220	940	307	335	288	875	3-4.5t
2300@610	XC23G-B1	III	710-2020	45x125x1220	575	313	295	297	825	3-4.5t

## Notes:

1. Forklift trucks need to add 2 sets of oil lines;
2. Please obtain the actual comprehensive bearing capacity from the forklift manufacturer.

## Features:

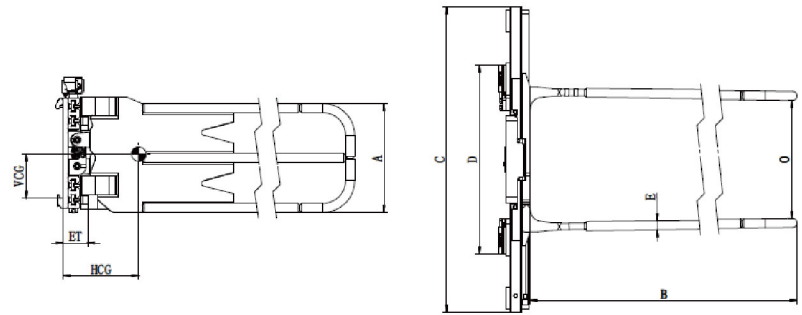
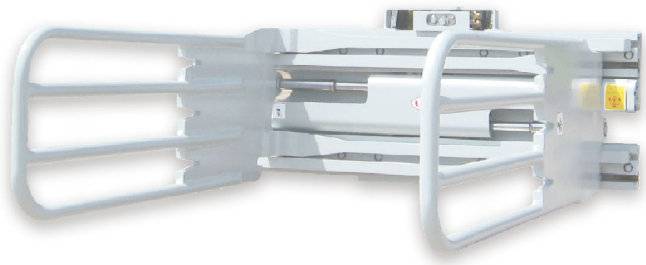
1. Highly durable gear drive box and ring gear to provide superior service life;
2. With large modulus slewing bearing to achieve high-strength capacity;
3. With 360° rotation, to offer you more efficiency for loading and unloading.

# Sponge Rubber Clip

# Sponge Rubber Clip



16 Sponge Rubber Clip 75



## Introduction:

Sponge rubber clip can efficiently and safely handle and stack any type of foam products in rubber and chemical industry.

Capacity @ Load Center	Catalog Order No.	Mounting Class	Opening Range	Arm Height	Arm Length	Frame Width	Hook Spread	Bar Arm Diameter	Weight	Effective Thickness	Vertical Center Of Gravity	Horizontal Center Of Gravity
Kg @ mm			O(mm)	A(mm)	B(mm)	C (mm)	D(mm)	E(mm)	(kg)	ET (mm)	VCG (mm)	HCG (mm)
500@1000	HX05G-B1	III	1270-3120	600	1825	1680	1040	Φ50	760	134	244	429
1000@1000	HX10G-B1	III	730-2580	600	2825	1680	1040	Φ50	880	134	242	619
1000@500	HX10G-B2	III	885-2310	600	1500	1100	970	Φ50	670	134	248	400
1500@500	HX15G-B1	III	740-2590	600	2525	1680	1040	Φ50	860	134	240	546
1500@500	HX15G-B2	III	650-2500	600	1825	1680	1040	Φ50	770	134	243	413
1500@500	HX15G-B3	III	650-2500	600	2000	1680	1040	Φ50	790	134	242	450
1500@500	HX15G-B7	III	640-2490	600	2300	1680	1040	Φ50	810	134	241	516

## Notes:

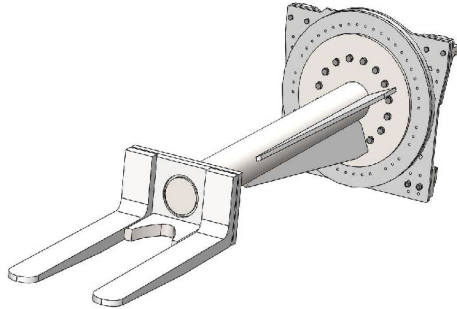
1. Please obtain the actual comprehensive bearing capacity of forklift/attachment from the forklift factory.
2. The forklift truck needs to add 2 groups of oil lines.

## Features:

1. Imported load keeping valves and cone sealed high-performance rubber hoses.
2. High-performance alloy steel plates for the guide rail assembly.
3. With side shift function inside.

# Material Sender

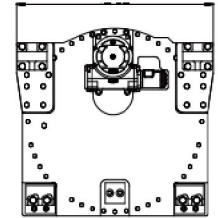
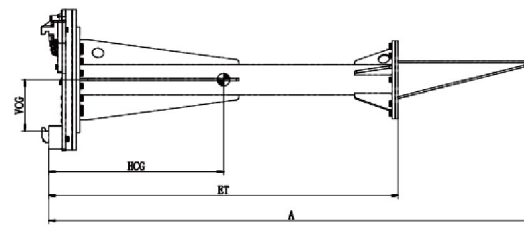
17 Material Sender 77



## Introduction:

LDSJ Material senders are widely used in the smelting industry. And it can realize smelting feeding operation safely and efficiently.

# Material Sender



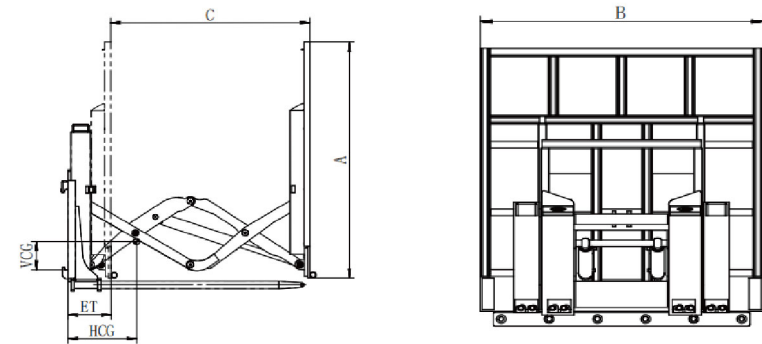
Capacity @ Load Center	Catalog Order No.	Mounting Class	Overall Width	Overall Length	Weight	Effective Thickness	Vertical Center Of Gravity	Horizontal Center Of Gravity	Shovel Pyte	Available Forklift
Kg @ mm			(mm)	A(mm)	(kg)	ET(mm)	VCG (mm)	HCG (mm)		(t)
1000@3470	SL10G-C1	IV	986	3700	1120	3240	319	1310	Flat shovel	5-7t
1000@3000	SL10G-C3	IV	986	3705	1100	2635	296	1025	Fork	5-7t
1000@2780	SL10G-C4	IV	986	3700	1100	2465	305	1046	Fork	5-7t
1000@2780	SL10G-C5	IV	986	3675	1000	2870	316	975	Fork	5-7t
1500@2780	SL15G-C1	IV	986	3230	1020	2310	334	1020	Wedge	5-7t
1500@2900	SL15G-C3	IV	986	3490	1120	2390	305	1300	Fork	5-7t
1500@3000	SL15G-C4	IV	986	3380	1050	2380	338	1250	Wedge	5-7t

## Notes:

- 1.Forklift trucks need to add 1 sets of oil lines;
- 2.Please obtain the actual comprehensive bearing capacity from the forklift manufacturer;

## Features:

- 1.Highly durable gear drive box and ring gear to provide superior service life;
- 2.With large modulus slewing bearing to achieve high-strength capacity;
- 3.With 360° rotation, to offer you more efficiency for loading and unloading.



### Introduction:

Pushers are designed for palletless packet goods handling operations. These pushers are rugged, heavy duty attachments for high cycle slipsheet applications, requiring high productivity with low maintenance. LDSJ dedicated pushers are the best performing and durable pushers available.

Capacity @ Load Center Kg @ mm	Catalog Order No.	Mounting Class	Push Range	Fork Length	Baffle Height X Width	Time Amount @ Time Spacing	Effective Thickness	Vertical Center of Gravity	Horizontal Center of Gravity	Weight	Available Forklift
			C(mm)	(mm)	AxB(mm)		ET (mm)	VCG (mm)	HCG(mm)	(kg)	(t)
2000@500	TL20C-B16	III	1200	1165	1500×1400	6@238	255	280	238	640	3-4.5t
2000@500	TL20C-B59-01	III	1000	1000	2200×1600	8@210	255	330	220	720	3-4.5t
2500@500	TL20C-B63	III	1200	1165	1800×1400	8@215	255	275	240	700	3-4.5t
2500@500	TL25C-B9-01	III	1200	1220	1400×1600	8@210	255	240	290	740	3-4.5t
2000@500	TL20C-B64-01	III	1300	1300	1600×1500	8@185	255	290	295	770	3-4.5t
2000@500	TL20C-B81	III	1300	1290	1200×1100	5@215	255	260	275	700	3-4.5t
2000@500	TL20C-B6-02	III	1400	1400	1300×1500	8@195	255	205	360	840	3-4.5t
2000@500	TL20C-B54-04	III	1400	1400	1300×1500	9@170	255	245	335	800	3-4.5t
2000@750	TL20C-B36-02	III	1480	1500	1600×1800	9@233	255	250	305	870	3-4.5t
2000@750	TL20C-B49	III	1480	1500	1800×1500	9@181	255	210	435	930	3-4.5t

### Notes:

1. Forklift trucks need to add 1 sets of oil lines;
2. Please obtain the actual comprehensive bearing capacity from the forklift manufacturer;
3. This fork adopts round rod fork.

### Features:

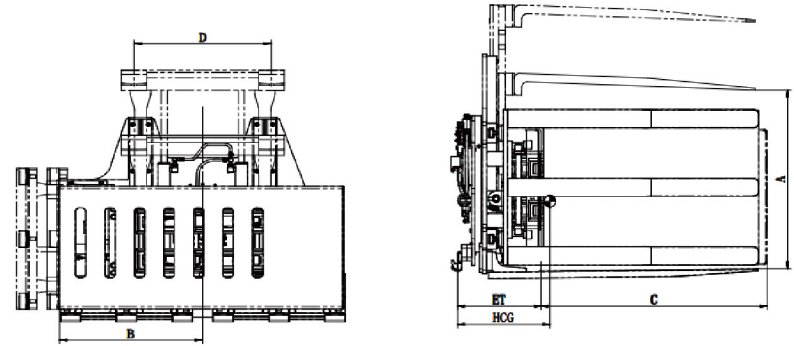
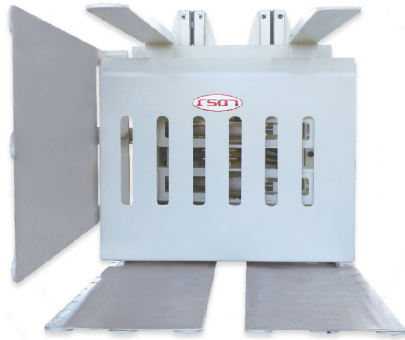
1. Fork plate and connecting plate adopt high-strength plate to extend service life;
2. High visibility pantograph, gripper jaw and faceplate;
3. Simplified hydraulic circuit and highly durable hydraulic part;
4. Two sets of cylinders are controlled by overflow valve and with a good view.

# Inverta Push

# Inverta Push



19 Inverta Push 81



## Introduction:

LDSJ's Inverta Push is widely used in nearly every operation that ships out loads of bags or cartons, such as grain, cement, sugar, canned goods, boxed goods and so on. It has great ability to clamp, rotate and push your product.

Capacity @ Load Center	Catalog Order No.	Mounting Class	Clamping Range	Adjustment Range	Push Range	Tine Spacing	Effective Thickness	Horizontal Center of Gravity	Weight	Available Forklift
Kg @ mm			A(mm)	B(mm)	C(mm)	D (mm)	ET(mm)	HCG (mm)	(kg)	(t)
1500@600	XT15SD-B1	III	950-1600	630-730	1270	600	472	415	1425	3-4.5t
1500@600	XT15SD-B3	III	600-1000	515-615	1270	575	472	415	1370	3-4.5t
1500@600	XT15SD-B4-01	III	810-1410	680-780	1270	675	472	415	1430	3-4.5t
1500@600	XT15SD-B5	III	570-970	560-660	1270	675	472	415	1410	3-4.5t
1500@600	XT15SD-B5-01	III	810-1410	680-780	1270	675	472	415	1410	3-4.5t
1500@600	XT15SD-B6-01	III	705-1205	680-780	1270	675	472	415	1420	3-4.5t
1500@600	XT15SD-B7	III	950-1600	630-730	1270	550	472	415	1400	3-4.5t
1500@600	XT15SD-B8	III	750-1250	600-750	1270	675	472	415	1420	3-4.5t
1500@600	XT15SD-B9	III	750-1250	560-660	1270	575	472	415	1400	3-4.5t
1500@600	XT15SD-B10	III	780-1280	750-850	1400	900	505	430	1560	3-4.5t
1500@600	XT15SD-B11	III	590-990	600-750	1270	675	472	415	1415	3-4.5t
1500@600	XT15SD-B12	III	930-1430	550-630	1270	500	472	415	1456	3-4.5t
2000@600	XT20S-B1	III	820-1370	750-850	1300	750	530	470	1730	4-5t
2000@600	XT20S-B2	III	895-1445	725-875	1400	960	566	491	1980	4-5t
2000@600	XT20S-B3	III	770-1320	570-720	1300	750	530	470	1715	4-5t
2000@600	XT20S-B4	III	945-1495	800-950	1400	900	566	491	1980	4-5t
2000@600	XT20S-C1	IV	820-1370	770-870	1300	750	545	470	1800	5-7t

## Notes:

- 1.The fork spacing D can be adjusted.
- 2.Please obtain the actual comprehensive bearing capacity from the forklift manufacturer;
- 3.Forklift trucks need to add 1 sets of oil lines.

## Features:

- 1.Highly durable gear drive box and ring gear to provide superior service life;
- 2.With large modulus slewing bearing to achieve high-strength capacity;
- 3.With 360° rotation and push/pull, clamping/opening function to offer you more efficiency for loading and unloading.

Inverta Push

# Load Stabilizer

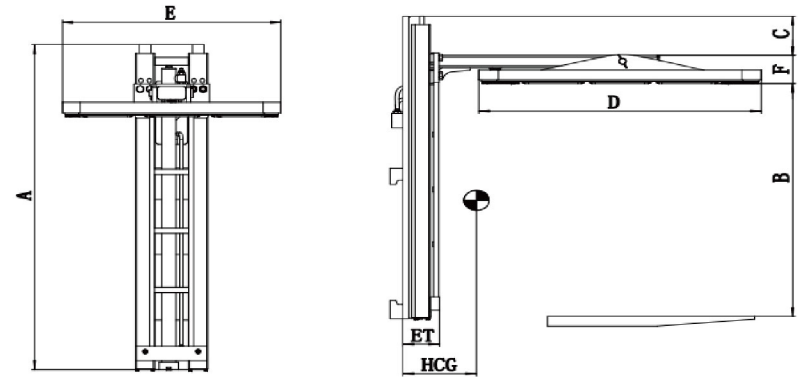


20 Load Stabilizer 83

## Introduction:

Designed for transporting unstable loads such as drinks, malted beverages and empty containers, Load Stabilizers allow faster operation speeds and more efficient handling procedures by securing the palletized load. LDSJ Load Stabilizers offer the secure way to handle unstable palletized loads.

# Load Stabilizer



Capacity @ Load Center	Catalog Order NO.	Mounting Class	Moving Range	Overall Height	Height	Contact Pad Height	Contact Pad Packing Force	Contact Pad Length	Contact Pad Width	Effective Thickness	Horizontal Center Of Gravity	Weight
Kg @ mm			B(mm)	A(mm)	C(mm)	F (mm)	(bar)	D(mm)	E(mm)	ET (mm)	HCG (mm)	(kg)
2000@500	WD20J-A5	II	1085-2095	1710	480	135	100-160	1400	1400	136	350	350
2000@500	WD20J-A5-01	II	1085-2095	1710	480	135	100-160	1400	1400	136	350	350
2000@500	WD20J-A7	II	1485-2495	2110	460	135	100-160	1050	1700	136	290	410
2000@500	WD20J-A7-01	II	1485-2495	2110	460	135	100-160	1200	1700	136	300	420
2000@500	WD20J-A7-02	II	1485-2495	2110	460	135	100-160	1100	1500	136	300	400
2000@500	WD20J-A7-03	II	1485-2495	2110	460	135	100-160	1520	1200	136	350	410
2000@500	WD20J-A7-04	II	1485-2495	2110	460	135	100-160	1100	1500	136	300	400
2000@500	WD20J-A8	II	1115-2125	1710	445	135	100-160	1100	1300	160	300	350
2000@500	WD20J-A8-01	II	1115-2125	1710	445	135	100-160	1100	1250	170	300	350
2000@500	WD20J-A9	II	1485-2495	2110	460	135	100-160	1000	1500	136	290	400
2000@500	WD20J-A13	II	1350-2600	1700	230	116	100-160	1000	1000	140	290	420
3000@500	WD30J-B7	III	1115-2125	1710	470	116	100-160	1100	1100	136	300	340
3000@500	WD30J-B8	III	1100-2100	1710	470	116	100-160	1050	1700	100	300	400
3000@500	WD30J-B9	III	1115-2125	1710	470	116	100-160	1100	1300	161	300	350
3000@500	WD30J-B11	III	1485-2495	2110	460	135	100-160	1400	1400	120	350	350
3000@500	WD30J-B12	III	1230-2240	1710	340	116	100-160	1500	1500	136	370	400

## Notes:

1. Please obtain the actual comprehensive bearing capacity from the forklift manufacturer;
2. Forklift trucks need to add 1 sets of oil lines.

## Features:

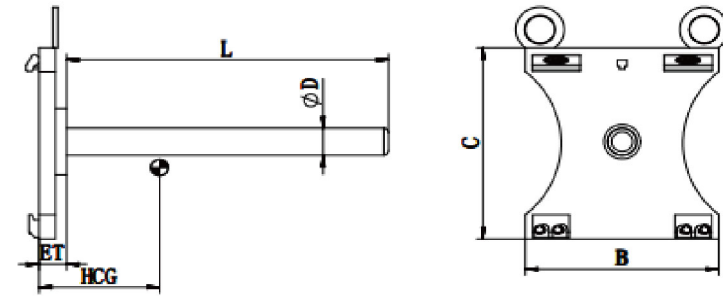
1. Excellent driver visibility.
2. Narrow frame width.
3. Frame fits between forks.
4. Thin arm pad profile.
5. Highly competitive rating specifications.
6. Internal relief valve.
7. Carriage compatibility.

# Carpet Boom

# Carpet Boom



21 Carpet Boom 85



## Introduction:

Carpet Boom is heavy duty attachments designed for handling the steel rolls. LDSJ Carpet Boom is a simple handling tool, but can effectively carry the belt hole paper rolls and steel rolls.

Capacity @ Load Center	Catalog Order NO.	Mounting Class	Rod Diameter	Bar Arm Length	Weight	Effective Thickness	Vertical Center of Gravity	Horizontal Center Of Gravity	Overall Width Overall Height
Kg @ mm			D(mm)	L(mm)	(kg)	ET (mm)	VCG(mm)	HCG (mm)	B\C (mm)
1000@500	CG10G-A1	II	60	1070	105	40	193	142	500/530
1000@500	CG10G-A4	II	65	1070	110	40	192	156	500/530
1000@500	CG10G-A8	II	70	1070	115	40	192	170	500/530
1000@500	CG10G-A13	II	75	2000	155	80	200	488	440/525
1000@700	CG10G-B1	III	85	1070	275	50	283	125	500/635
1000@700	CG10G-B6	III	100	1070	295	50	281	155	500/635
1500@500	CG15G-B1	III	70	1100	160	80	212	148	493/636
2000@700	CG20G-B3	III	70	1450	180	80	204	222	493/636
1500@500	CG30G-B1	III	70	1000	155	80	215	129	493/636
4500@500	CG45G-C1	IV	140	1100	400	95	326	225	680/785

## Notes:

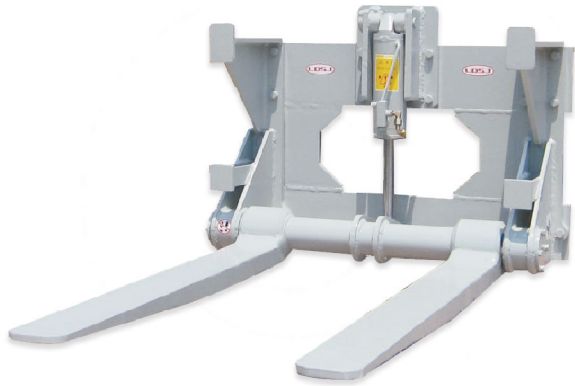
1. Please obtain the actual comprehensive bearing capacity from the forklift manufacturer.

## Features:

1. Smooth surface to prevent damage to the load;
2. Quick-release for easy attachment;
3. Profiled bar end for easy entry into center of loads;
4. Patented lock-pin assembly ensures stability.

# Sanitation Fork

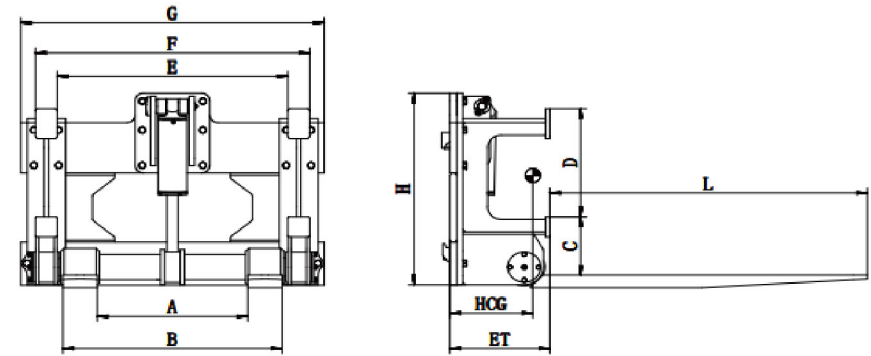
22 Sanitation Fork 87



## Introduction:

Mainly used in the environmental protection industry, LDSJ Sanitation Fork can realize the rapid dumping of specific dustbins.

# Sanitation Fork



Capacity @ Load Center	Catalog Order No.	Mounting Class	Effective Thickness	Fork Thickness	Tilt Forward	Fork Thickness	Fork Length	Fork Spacing	Fork Width	Horizontal Center Of Gravity	Weight	Available Forklift
Kg @ mm			ET (mm)	A\B(mm)	$\alpha(^{\circ})$	E\F (mm)	L\T (mm)	C\D (mm)	G\H (mm)	HCG (mm)	(kg)	(t)
3000@600	HW30G-B1	III	363	545/795	73°	835/995	1150/50	230/430	1100/762	312	420	3-4.5t
3000@600	HW30G-B2	III	363	545/795	73°	835/995	1150/50	230/478	1100/762	312	420	3-4.5t
3000@600	HW30G-B3	III	363	545/795	73°	680/840	1150/50	330/430	1100/762	312	420	3-4.5t
3000@600	HW30J-B1	III	466	545/795	73°	835/995	1220/50	230/430	1100/779	370	420	3-4.5t
3500@700	HW35J-B1	III	450	545/795	73°	835/995	1350/50	230/430	1100/779	380	495	3-4.5t

## Notes:

1. Please obtain the actual comprehensive bearing capacity from the forklift manufacturer;
2. Forklift trucks need to add 1 sets of oil lines.

## Features:

1. Highly durable seals and hydraulic parts to provide superior service life;
2. The fork frame adopts high-performance alloy steel plate with high strength;
3. 73° forward tilt to dump goods well.

Sanitation Fork

# PVC Clamp

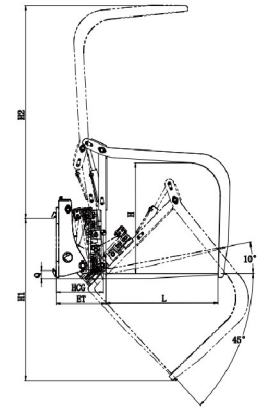
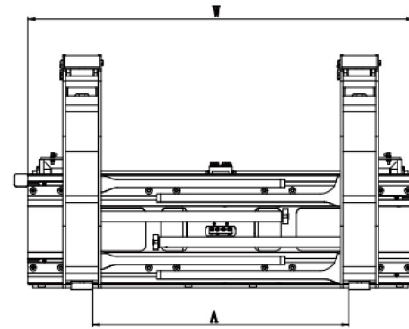
23 PVC Clamp 89



## Introduction:

PVC Clamp can efficiently handle and stack PVC pipe under normal temperature without pallet. Widely used in PVC industry. The functions of tipping and withhold can greatly improve the flexibility of the forklift and handling efficiency.

# PVC Clamp



Capacity @ Load Center	Catalog Order NO.	Mounting Class	Opening Range	Effective Fork Length	Pedestal Width	Platen longitudinal spacing	Uplift Height	Downlip Height	Q	Effective Thickness	Horizontal Center Of Gravity	Weight	Available Forklift
Kg @ mm	A(mm)	L(mm)	w(mm)	H(mm)	H2(mm)	H1 (mm)	(mm)	ET(mm)	HCG(mm)	(kg)	(t)		
2000@500	QY20G-B2	III	1530-3550	1120	2240	1045	2015	1535	75	505	425	1420	3-4.5t
2000@500	QY20G-B3	III	1300-3800	1250	2520	1170	2040	1640	75	510	520	1500	3-4.5t
2000@500	QY20G-C1	IV	2440-5550	1100	2640	1160	1970	1720	130	510	520	2220	5-7t

## Notes:

- 1.Please obtain the actual comprehensive bearing capacity from the forklift manufacturer;
- 2.Forklift trucks need to add 2 sets of oil lines.

## Features:

- 1.Highly durable seals and hydraulic parts to provide superior service life;
- 2.The structural part adopts high-performance alloy steel plate with high strength;
- 3.Holding various PVC pipe to reduce logistics cost and improve efficiency.

PVC Clamp

# Hinged Steel Pipe Clamp

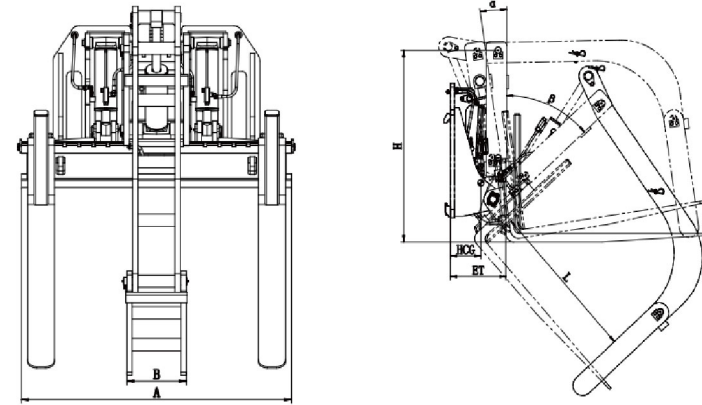


24 Hinged Steel Pipe Clamp 91

## Introduction:

Hinged Steel Pipe Clamp can efficiently handle and stack cylindrical objects under normal temperature without pallet. Widely used in construction, logistics industries for handling the steel pipe and so on. The functions of tipping and withholding can greatly improve the flexibility of the forklift and handling efficiency.

# Hinged Steel Pipe Clamp



Capacity @ Load Center	Catalog Order No.	Mounting Class	Hinged Fork Mounting Class	Carriage Width	Raker Width	Raker Pivot Height	Minimum Clip Distance	Effective Thickness	Horizontal Center Of Gravity	Tilt Forward Tilt Backward	Weight	Available Forklift
Kg @ mm				A(mm)	RW(mm)	RH (mm)	L(mm)	ET(mm)	HCG (mm)		(kg)	(t)
3000@500	QY30G-B1	III	Non-standard fork	1500	345	1100	970	345	350	50°/10°	870	3-4.5t
5000@600	QY50G-C4	IV	Non-standard fork	1785	275	1170	970	385	350	45°/10°	960	5-7t
2500@600	QY25G-B6	III	Non-standard fork	1380	345	1100	970	335	430	50°/10°	700	3-4.5t
2500@500	QY25G-B7	III	standard fork	1380	310	1090	980	380	430	50°/10°	545	3-4.5t
5000@500	QY50G-C6	IV	Non-standard fork	1785	390	871	819	470	450	50°/10°	1040	5-7t
5000@500	QY50G-C7	IV	Non-standard fork	1760	275	1145	900	470	360	45°/10°	825	5-7t

## Notes:

1. Please obtain the actual comprehensive bearing capacity from the forklift manufacturer;
2. Forklift trucks need to add 2 sets of oil lines and all cylinders are self-locking.

## Features:

1. Highly durable seals and hydraulic parts to provide superior service life;
2. The fork frame adopts high-performance alloy steel plate with high strength;
3. 3.45° forward tilt and 19° backward to hold round wood easy and well.

# Hinged Broke Handler

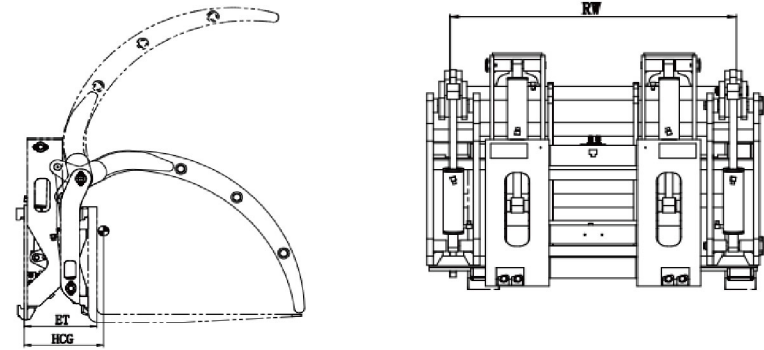
25 Hinged Broke Handler 93



## Introduction:

Hinged Broke Handler is able to enlarge the upward and downward tilt angle of fork carriage (Upward 20°-25°, Downward 45°) and the arms will hold the goods to avoid damage in transit. Widely used in recycling and waste management, it can greatly improve the flexibility of loading and unloading of the forklift.

# Hinged Broke Handler



Capacity @ Load Center	Catalog Order No.	Mounting Class	Available Fork Length	Tilt Angles (Up/Down)	Raker Width	Raker Pivot Height	Effective Thickness	Vertical Center Of Gravity	Horizontal Center Of Gravity	Weight	Available Forklift
Kg @ mm			(mm)		RW(mm)	(mm)	ET(mm)	VCG (mm)	HCG (mm)	(kg)	(t)
2000@500	FC20Q-B2	III	1070	20°/45°	1170	760	375	365	395	580	3-4.5t
2000@500	FC20Q-B2-01	III	1220	20°/45°	1170	805	375	365	405	590	3-4.5t
2000@500	FC20Q-B3	III	1370	25°/45°	1170	809	335	365	510	610	3-4.5t
3500@500	FC35Q-B2	III	1370	20°/50°	1170	800	360	365	518	610	3-4.5t

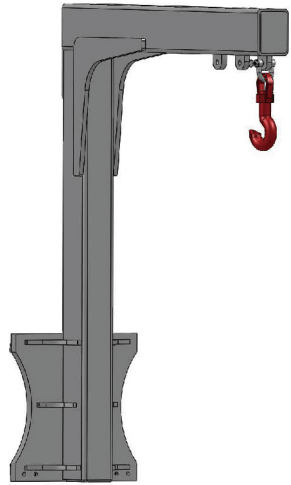
## Notes:

1. Please obtain the actual comprehensive bearing capacity from the forklift manufacturer;
2. Forklift trucks need to add 2 sets of oil lines and all cylinders are self-locking.

## Features:

1. Highly durable seals and hydraulic parts to provide superior service life;
2. The structural part adopts high-performance alloy steel plate with high strength;
3. 45° forward tilt and 10° backward to hold waste paper easy and well.

# Lifting Arm

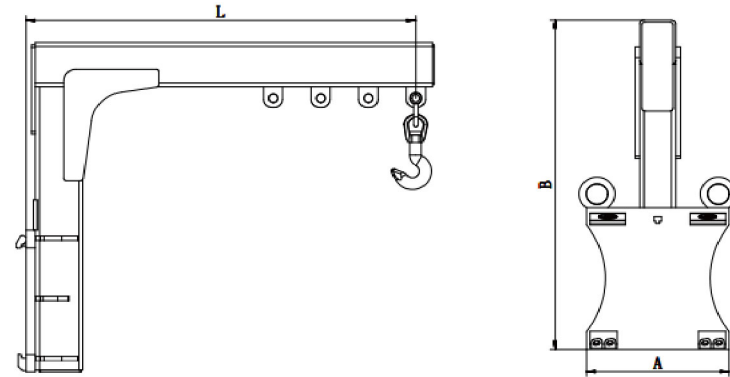


26 Lifting Arm 95

## Introduction:

Lifting Arm is heavy duty attachments designed for lifting goods. HELI Lifting Arm is a sample lifting tool, but can effectively carry goods.

# Lifting Arm



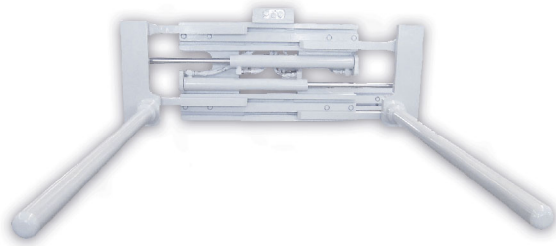
Capacity @ Load Center	Catalog Order NO.	Mounting Class	Crane Jib Type	Hook Number	Hoisting Positioning	Overall Width	Overall Height	Weight	Available Forklift
						(mm)	(mm)		
1000	QZ10G-X1	Fork type	Single boom	1	1800, 2000, 2200, 2400, 2600, 2800	485	485	250	1-7t
2500	QZ25G-B2	III	Single boom	1	1300, 1600, 2000, 2300, 2600	800	800	300	3-4.5t
1500	QZ15G-B1	III	Single boom	1	1130	600	600	250	3-4.5t
3000	QZ30G-B5	III	Single boom	1	1050, 1550	600	600	365	3-4.5t
2000	QZ20G-B6	III	Double boom	4	400, 1400	1080	1080	365	3-4.5t
4000	QZ40G-C1	IV	Single boom	2	830, 1630	600	600	375	5-7t
3000	QZ30G-C2	IV	Double boom	2	1030, 1880	1600	1600	880	5-7t

## Features:

High-strength steel plate to provide superior service life and High security.

# Bar Arm Clamp

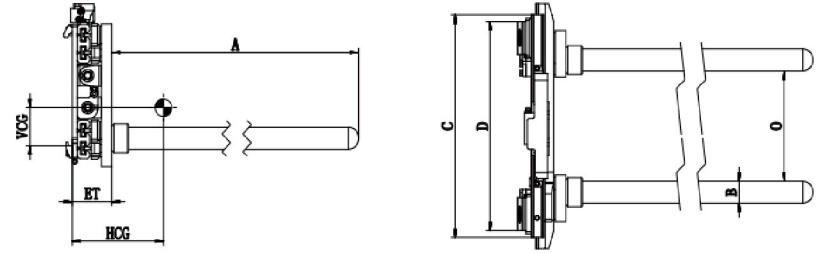
27 Bar Arm Clamp 97



## Introduction:

Bar Arm Clamp is a kind of flat holding device that can be opened, clamped and moved sideways. Its round bar can effectively fit cylindrical goods and realize fast transportation.

# Bar Arm Clamp



Capacity @ Load Center	Catalog Order NO.	Mounting Class	Opening Range	Frame Width	Bar Arm Diameter	Bar Arm Length	Vertical Center Of Gravity	Horizontal Center Of Gravity	Effective Thickness	Weight	Avaiable Forklift
Kg @ mm			(mm)	A(mm)	C(mm)	L (mm)	VCG(mm)	HCG (mm)	ET(mm)	(kg)	(t)
1600@600	YG16G-A1	II	246-1400	1040	Φ75	1500	218	241	165	400	1-2.5t
2300@600	YG23G-B1	III	240-1400	1010	Φ75	1065	213	239	179	460	3-4.5t

## Notes:

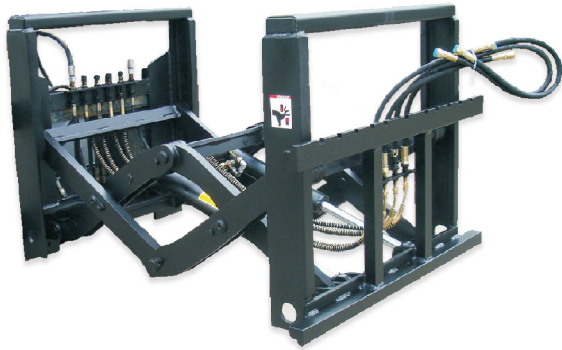
- 1.Please obtain the actual comprehensive bearing capacity from the forklift manufacturer;
- 2.Forklift trucks need to add 2 sets of oil lines.

## Features:

- 1.Highly durable seals and hydraulic parts to provide superior service life;
- 2.With clamping/opening/sideshifting functions and good view to improve efficiency.

# Load Extender

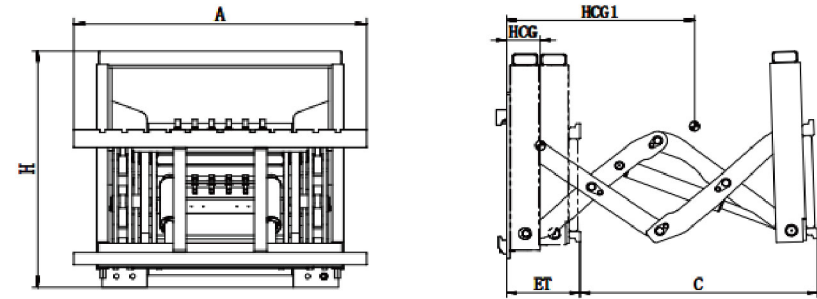
28 Load Extender 99



## Introduction:

Load Extender is an useful application when loading and unloading the trucks or railcars from one side only. On the front of the load extender a range of attachments can be fitted, like fork positioners and roll clamps, making the load extender a flexible tool.

# Load Extender



Capacity @ Load Center	Catalog Order NO.	Mounting Class	Push Range	Overall Height	Carruage Width	Effective Thickness	Horizontal Center Of Gravity		Weight	Available Forklift
Kg @ mm			C(mm)	H(mm)	A(mm)	ET (mm)	HCG(mm)	HCG1(mm)	(kg)	(t)
2000@600	QJ20G-B1	III	1000	875	1038	302	140	595	385	3-4.5t

## Notes:

1. Please obtain the actual comprehensive bearing capacity from the forklift manufacturer;
2. Forklift trucks need to add 1 sets of oil lines and all cylinders are self-locking.
3. Add forks according to user needs, please pay attention to the carrying capacity of the forks;
4. If you need to match other attachments before the forward fork, please contact us.

## Features:

Extended reach allows the operator to work from one side which reduces working time and increases productivity.

# Practical Application Effect



CJ16G-A1      ZK10Q-B1      GJ18J-A1      GJ18J-A2



GC70      GC30      TL20C-B1      SC30D-B1



XC15G-B1      YM45G-B1      RJ30RT-B1      ZK27G-B1



YT09G-A1      ZJ27R-B4      YX18G-A5      RJ25ST-B4



FC20Q-B2      XZ10X-A1      RJ30ST-C1      LT12G-A1



# Practical Application Effect



FC30G-B1      CJ40G-C1      QF30F-B1      QF35F-B1



ZX07J-A1      RJ20ST-B1      RJ25ST-B2      SL15G-C2



TJ14S-A1      TJ19G-A1      TJ19R-A2      TJ14S-B1



TY25G-A2      JC30Q-B1      YX18G-A9      HX05G-B1



YX18G-A6      QF30F-B1      RJ22ST-B1      ZB40G-C1

# Note

---



A series of horizontal dashed lines for writing notes, spanning the width of the page below the 'Note' header.